



# ***PerformancePro***

---

## **PUMPS**



**PRODUCT CATALOG**

# Welcome

At PerformancePro Pumps we take great pride in the quality of our pumps. Our pumps are American made with precision components and superior workmanship, engineered with quality materials and an industry leading warranty\*. Our products offer excellent efficiencies and have unmatched performance. Our seal and housing combinations offer outstanding reliability in a broad range of applications, whether it be a heavily engineered installation or a backyard pond.

We are a family run business with close customer and vendor relations, many of whom we call friends. Our approach is simple: Build, deliver, and support pumps we would want to use. We focus on the customer by ensuring each pump performs as expected. We hand trim every impeller. We bench test every pump. We inspect every unit before it leaves our manufacturing plant.

We know our approach can be difficult. We lean heavily on our in-house experts by giving them the authority to “do the right thing” at every turn to take care of the customer. We are truly fortunate to work beside amazing employees every day, many who have served our customers for decades.

We hope you can see the difference and we welcome the opportunity to serve you.

Sincerely,

Greg and Amorette Gent

Have a question?

Customer service is our top priority! We take pride in assisting our customers with everything from sizing a pump to fit your specific application to technical assistance, repairs, customer service and more. We are here to help. Give us a call!

503-356-5888

\* see individual warranty for details



**PerformancePro**  
**PUMPS**

## CONTENT

## PAGE

ARTESIAN2 SERIES .....	4
ARTESIAN2 - CURVES .....	6
ARTESIAN2 - DIAL A FLOW (VARIABLE SPEED).....	9
ARTESIAN2 - PARTS .....	15
ARTESIANPRO SERIES .....	18
ARTESIANPRO - CURVES .....	20
ARTESIANPRO - DIAL A FLOW (VARIABLE SPEED) .....	24
ARTESIANPRO - PARTS .....	29
CASCADE SERIES .....	32
CASCADE - CURVES .....	34
CASCADE - PARTS .....	36
PARTS AND FITTINGS.....	38
PROTECT .....	45
FRICITION LOSS CHART .....	46



## The Artesian2 High & Low RPM Series...

are the perfect choice for high efficiency and reliability combined with the convenience of a self-priming pump. Molded of corrosion resistant composite materials, this series is built to last and outperform. Excellent for applications positioned above the water level. The Artesian 2 series features 2 inch ports, an integrated strainer basket and an easy access clear lid offering quick clean up and easy system checks.

Available in 1/8 to 1/2 hp at 1725 rpm and 1/2 to 3 hp at 3450 rpm.



## Features

- Energy efficient, durable and reliable design for continuous operation
- All units feature efficient industry leading motors with excellent protection and long term reliability
- Designed for quiet operation
- Adjustable performance with impeller interchangeability options
- Cord with plug available (standard or custom)
- 2 inch unions included
- Long life, corrosion resistant, stainless steel shaft seals
- External pump design helps protect your investment from potentially dangerous oil leaks and electrical hazards
- Salt water kit available
- 3 year limited warranty (for fresh water applications)
- \* Packaging fee applies per unit

Made with care in the U.S.A.





# PerformancePro PUMPS

# SPECIFICATIONS ARTESIAN2 SERIES

## LOW RPM

MODEL	HP	TYPE	RPM	VOLTS	HZ	MAX AMPS	WATTS	WATTS	MAX HEAD	MAX FLOW	HEAD
A2-1/8-30	1/8	1 Ø TEFC	1725	115/230	50/60	1.47	134	97	12 ft	3060	2'
A2-1/8-39	1/8	1 Ø TEFC	1725	115/230	50/60	1.96	195	120	17 ft	3900	3'
A2-1/4-47	1/4	1 Ø TEFC	1725	115/230	50/60	2.57	290	190	22 ft	4500	3'
A2-1/4-58	1/4	1 Ø TEFC	1725	115/230	50/60	3.06	350	196	23 ft	5460	4'
A2-1/3-63	1/3	1 Ø TEFC	1725	115/230	50/60	4.00	450	220	25 ft	6360	5'
A2-1/2-76	1/2	1 Ø TEFC	1725	115/230	50/60	5.42	600	260	26 ft	7320	7'

## HIGH RPM - HIGH FLOW

MODEL	HP	TYPE	RPM	VOLTS	HZ	MAX AMPS	WATTS	WATTS	MAX HEAD	MAX FLOW	HEAD
A2-1/2-HF	1/2	1 Ø ODP	3450	115/208-230	50/60	8.29	950	480	46 ft	7560	8'
A2-3/4-HF	3/4	1 Ø ODP	3450	115/208-230	50/60	10.4	1180	600	53 ft	8340	9'
A2-1-HF	1	1 Ø ODP	3450	115/208-230	50/60	13.9	1600	760	58 ft	9900	14'
A2-1 1/2-HF	1 1/2	1 Ø ODP	3450	115/208-230**	50/60	8.8	1990	1080	58 ft	11640	17'
A2-2-HF	2	1 Ø ODP	3450	230	50/60	10.2	2300	1170	56 ft	12720	19'
A2-3-HF	3	1 Ø ODP	3450	230	50/60	14.2	3000	1540	67 ft	14280	25'

## HIGH RPM - HIGH HEAD

MODEL	HP	TYPE	RPM	VOLTS	HZ	MAX AMPS	WATTS	WATTS	MAX HEAD	MAX FLOW	HEAD
A2-1/2-HH	1/2	1 Ø ODP	3450	115/208-230	50/60	8.44	980	570	54 ft	6660	4'
A2-3/4-HH	3/4	1 Ø ODP	3450	115/208-230	50/60	11.21	1290	740	67 ft	7740	8'
A2-1-HH	1	1 Ø ODP	3450	115/208-230	50/60	14.0	1600	900	78 ft	8400	9'
A2-1 1/2-HH	1 1/2	1 Ø ODP	3450	115/208-230**	50/60	8.31	1900	1010	83 ft	9360	11'
A2-2-HH	2	1 Ø ODP	3450	230	50/60	10.2	2290	1060	89 ft	10800	15'
A2-3-HH	3	1 Ø ODP	3450	230	50/60	13.2	3000	1360	94 ft	12240	18'

- Designed to operate at any point on specified performance curve

- Minimum recommended continuous flow rate of 5 gallons per minute

- 2" intake and discharge ports

- Stainless steel shaft

- Salt water kit available

- Standard and custom cord options available  
[Options based on pump size]

- 2" union fittings included

• 3 year limited warranty for fresh water applications.

• 1 year limited warranty for salt water applications.

Watt and Amp draw ratings are typical, but can vary with alternate motors and operating voltages.

\*\*Operating at 115v requires connection to dedicated 30 amp circuit. Unit may run warmer and may shorten motor life. Aftermarket cord installation must meet proper amp and voltage requirements of the pump and must be no less than 12 gauge wire.

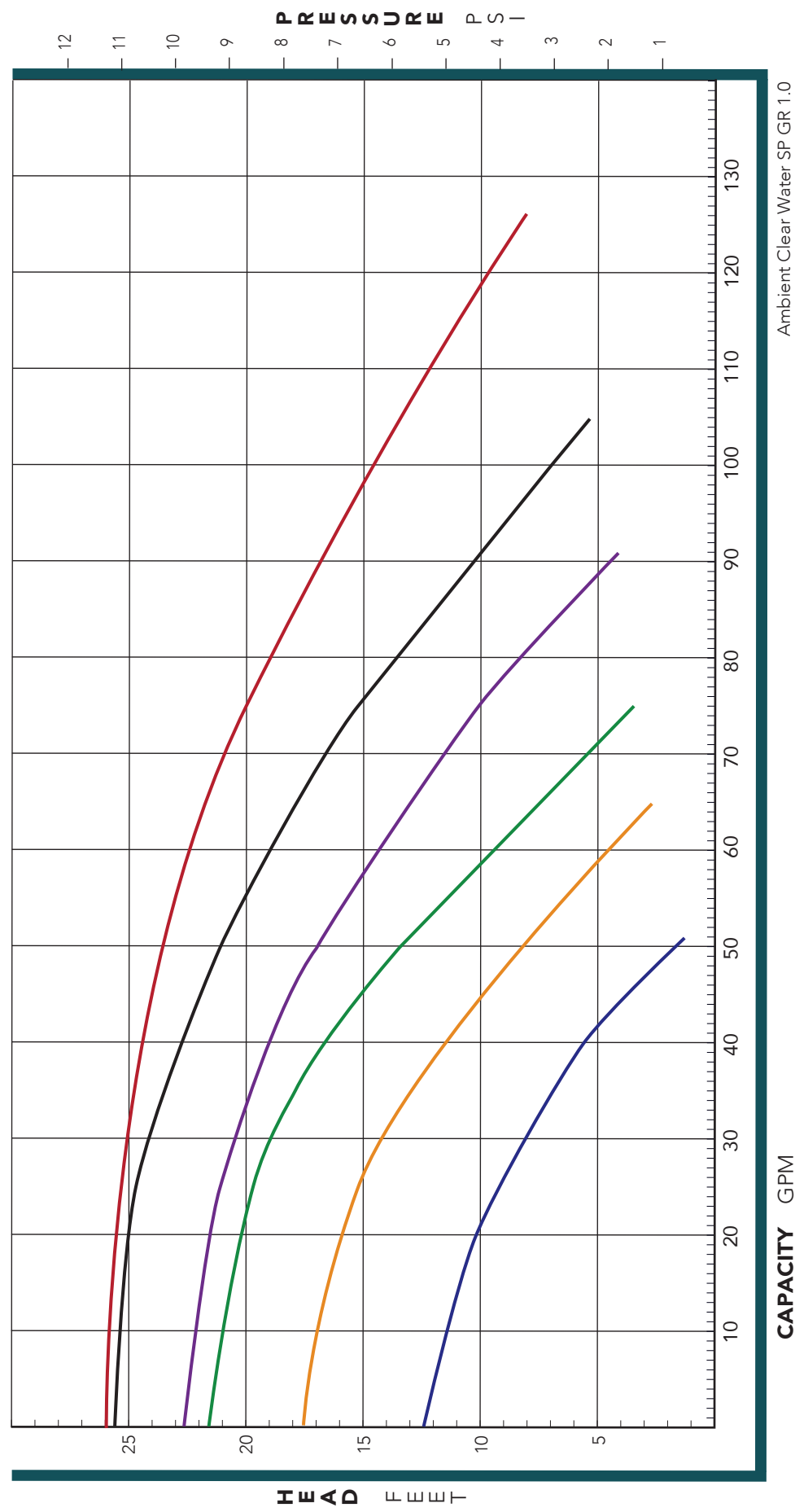
**PROUDLY BUILT IN THE USA**



# PerformancePro PUMPS

Pump Models: Artesian2 Low RPM Series  
 Impeller: Various Db: 35 - 45  
 Horsepower: 1/8 - 1/2 RPM: 1725 V: 115/230  
 ENC: TEFC M: B / L Hz: 60  
 Date: 10-11-19 #676, 679, 671, 672, 657, 673

— A2-1/8-30 [ I: A3/4H T: 3.750" Db: 35 ]    — A2-1/4-47 [ I: A1H T: 4.925" Db: 30 ]  
 — A2-1/8-39 [ I: A1H T: 4.350" Db: 40 ]    — A2-1/2-76 [ I: A1/2L T: 5.120" Db: 40 ]



CAPACITY GPM

Ambient Clear Water SP GR 1.0



# PerformancePro

## PUMPS

Pump Models: Artesian2 High Flow Series  
 Impeller: Various Db: 50 - 65  
 Horsepower: 1/2 - 3 RPM: 3450 V: 115/230  
 ENC: ODP M: B/L Hz: 60  
 Date: 11-01-19 #677, 680, 689, 683, 685, 687

- A2-1/2-HF [I: A11/2H T: 3.700" Db: 50] — A2-1-HF [I: A1/2H T: 4.000" Db: 55]
- A2-3/4-HF [I: A3H T: 3.950" Db: 55] — A2-1 1/2-HF [I: AP1/2L T: 4.225" Db: 65]
- A2-2-HF [I: AP3/4L T: 4.150" Db: 65]
- A2-3-HF [I: AP3/4L T: 4.400" Db: 65]

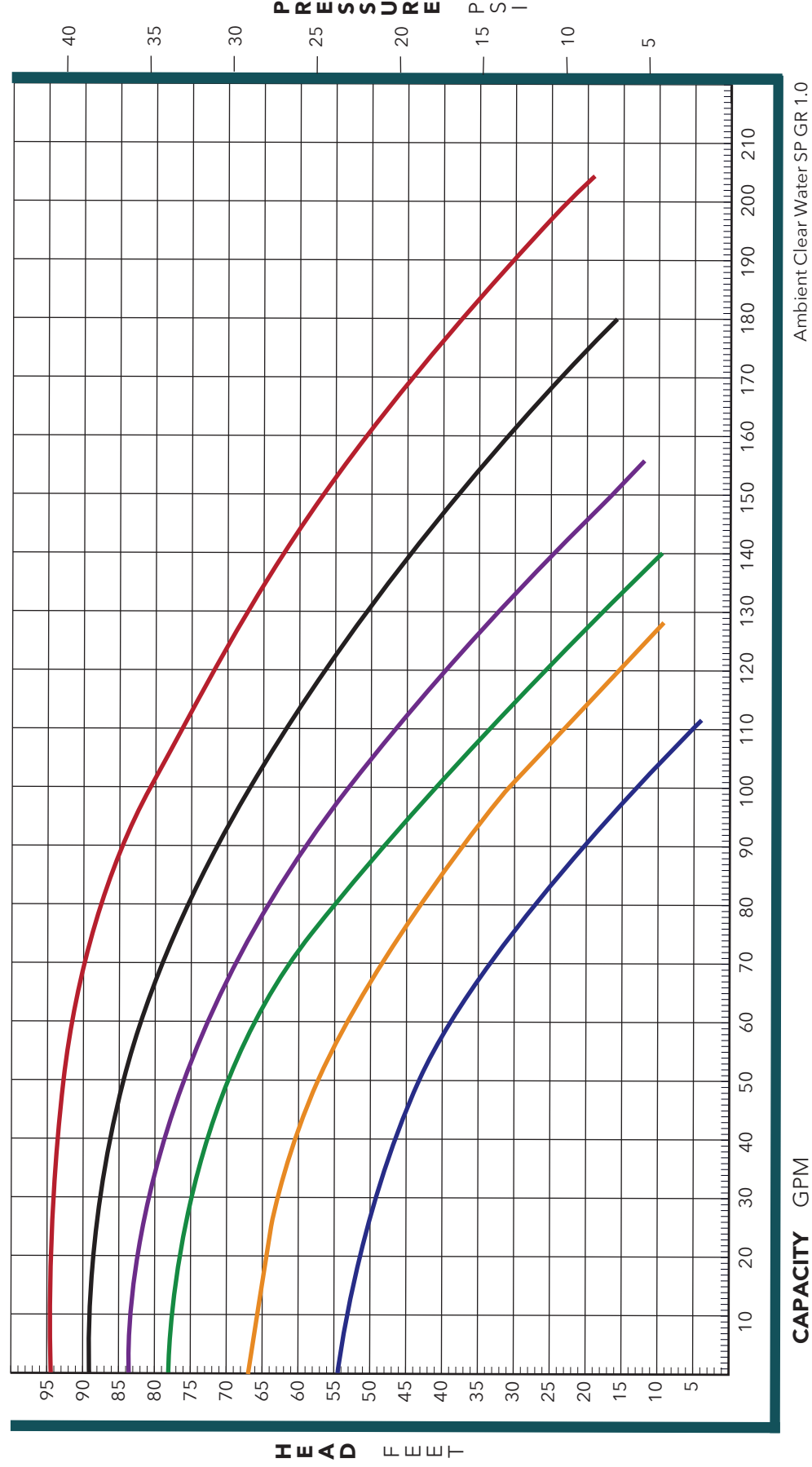


# PerformancePro

## PUMPS

Pump Models: Artesian2 High Head Series  
 Impeller: Various Db: 50 - 65  
 Horsepower: 1/2 - 3 RPM: 3450 V: 115/230  
 ENC: ODP M: B/L Hz: 60  
 Date: 11-01-19 #678, 690, 681, 684, 686, 688

- A2-1/2-HH [I: A3/4H T: 4.000" Db: 50] — A2-1-HH [I: A1H T: 4.700" Db: 60]
- A2-3/4-HH [I: A1H T: 4.350" Db: 55] — A2-1 1/2-HH [I: A11/2H T: 4.800" Db: 65]
- A2-2-HH [I: A2H T: 4.800" Db: 65]
- A2-3-HH [I: A3H T: 4.950" Db: 65]



## The Artesian2 Dial-A-Flow Series...

is the ultimate choice for variable speed performance offering high efficiency and reliability. This self-priming unit is molded of weather resistant polypropylene, ideal for applications in which variable flow rates are needed. This unit features an easy-open transparent lid providing quick access to the integrated strainer basket making clean up simple.



### Features

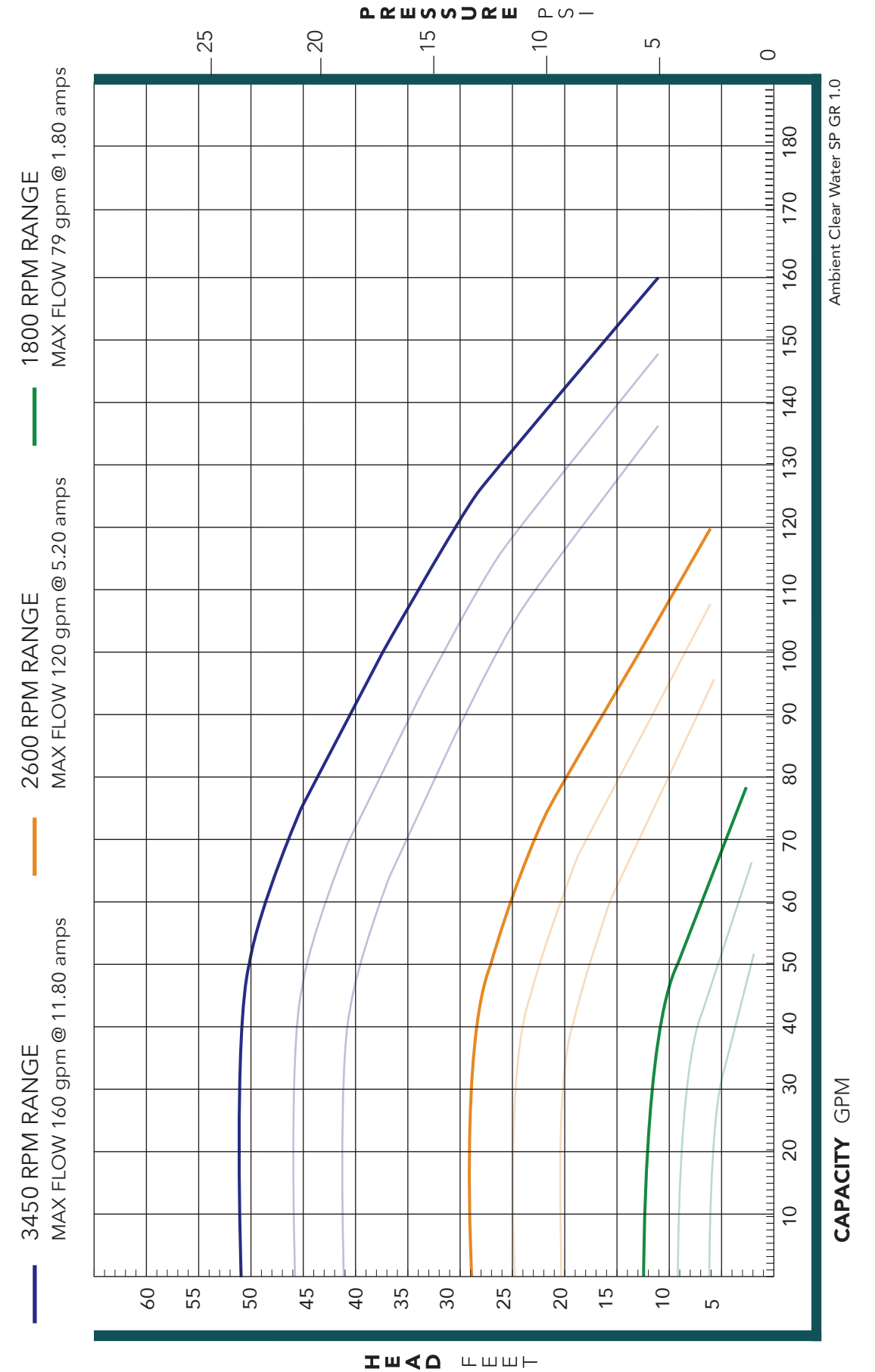
- Energy efficient, low energy consumption, durable and reliable design for continuous operation
- All units feature efficient industry leading motors with excellent protection and long term reliability
- Designed for quiet operation
- Premium efficient, totally enclosed fan cooled protection for maximum performance and reliability
- Integrated Timer Interface
- LCD Backlight Display
- 2 inch unions included
- Long life, corrosion resistant, stainless steel shaft seal
- External pump design helps protect your investment from potentially dangerous oil leaks and electrical hazards
- Salt water kit available
- 1 year limited warranty

\* Packaging fee applies per unit

Made with care in the U.S.A.



Pump Model: Artesian2 1.6 High Flow Variable  
 Impeller: A1/2L Trim: 3.950" Db: 68  
 Horsepower: 1.65 RPM: 3450 - 1725 V: 115  
 ENC: TEFC M: N Hz: 60  
 Date: 9-23-20 # 753





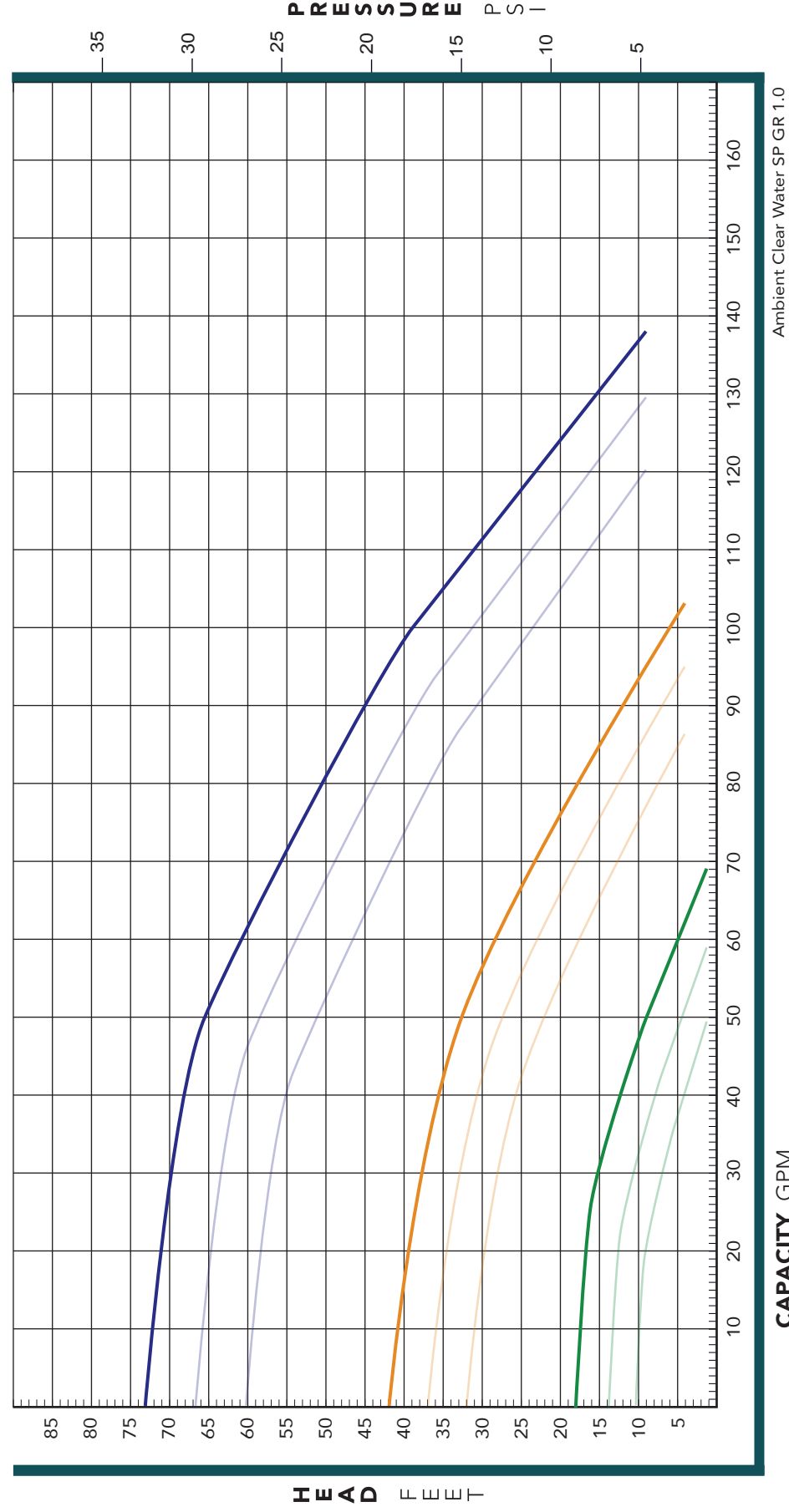
# PerformancePro PUMPS

Pump Model: Artesian2 1.6 High Head Variable  
 Impeller: A1H Trim: 3.60" Db: 68  
 Horsepower: 1.65 RPM: 3450 - 1725 V: 115  
 ENC: TEFC M: N Hz: 60  
 Date: 9-24-20 # 754

— 3450 RPM RANGE  
 MAX FLOW 138 gpm @ 10.3 amps

— 2600 RPM RANGE  
 MAX FLOW 104 gpm @ 4.53 amps

— 1800 RPM RANGE  
 MAX FLOW 69 gpm @ 1.63 amps



# PerformancePro PUMPS

Pump Model: Artesian2 2.7 High Flow Variable  
 Impeller: AP3/4L Trim: 4.225" Db: 68  
 Horsepower: 2.7 RPM: 3450 - 1725 V: 230  
 ENC: TEFC M: N Hz: 60  
 Date: 10-1-20 # 756

— 3450 RPM RANGE  
 MAX FLOW 213 gpm @ 10.2 amps

— 2600 RPM RANGE  
 MAX FLOW 162 gpm @ 4.80 amps

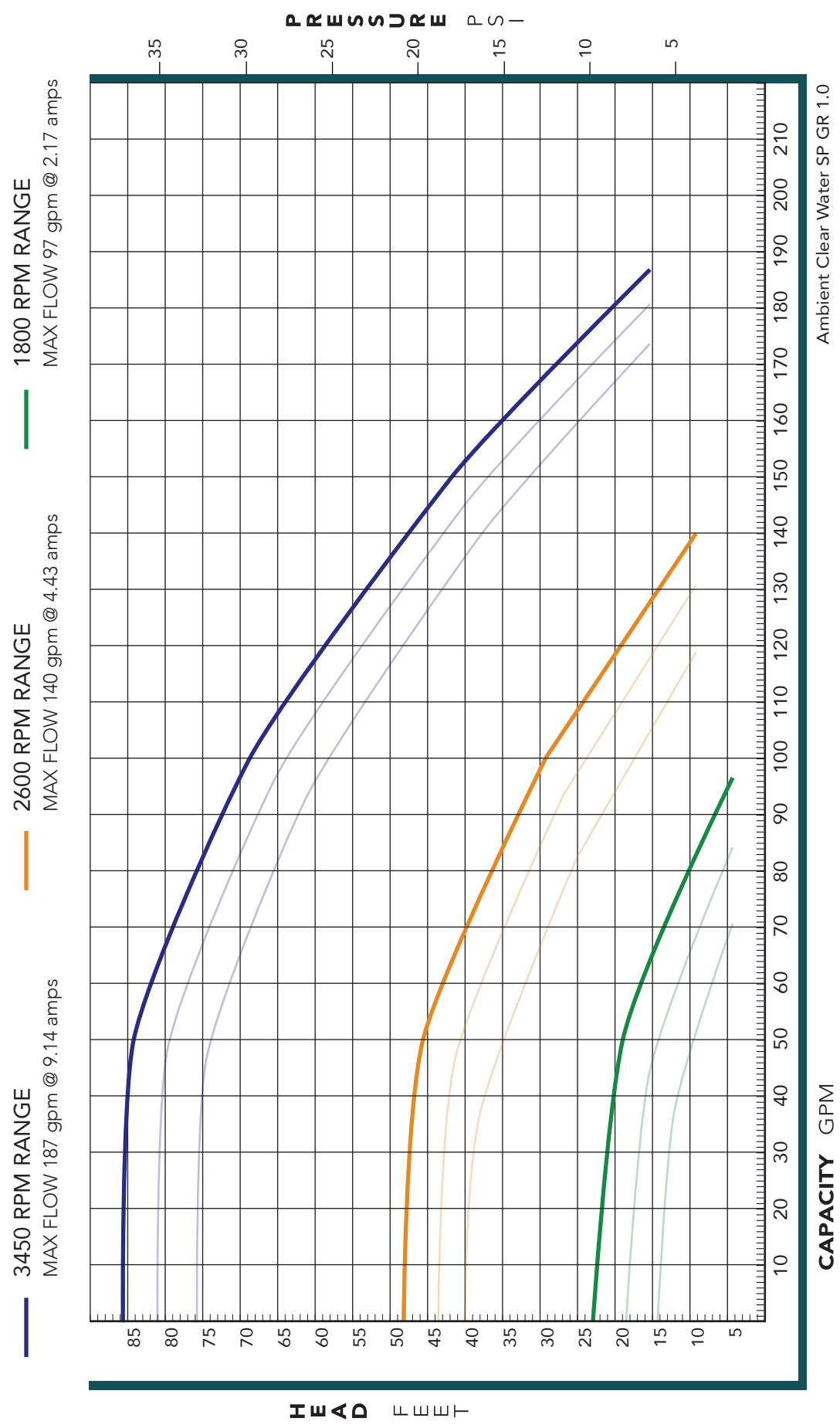
— 1800 RPM RANGE  
 MAX FLOW 112 gpm @ 2.15 amps





# PerformancePro PUMPS

Pump Model: Artesian2.7 High Head Variable  
Impeller: A2H Trim: 4.920" Db: 69  
Horsepower: 2.7 RPM: 3450 - 1725 V: 230  
ENC: TEFC M: N Hz: 60  
Date: 9-29-20 #755

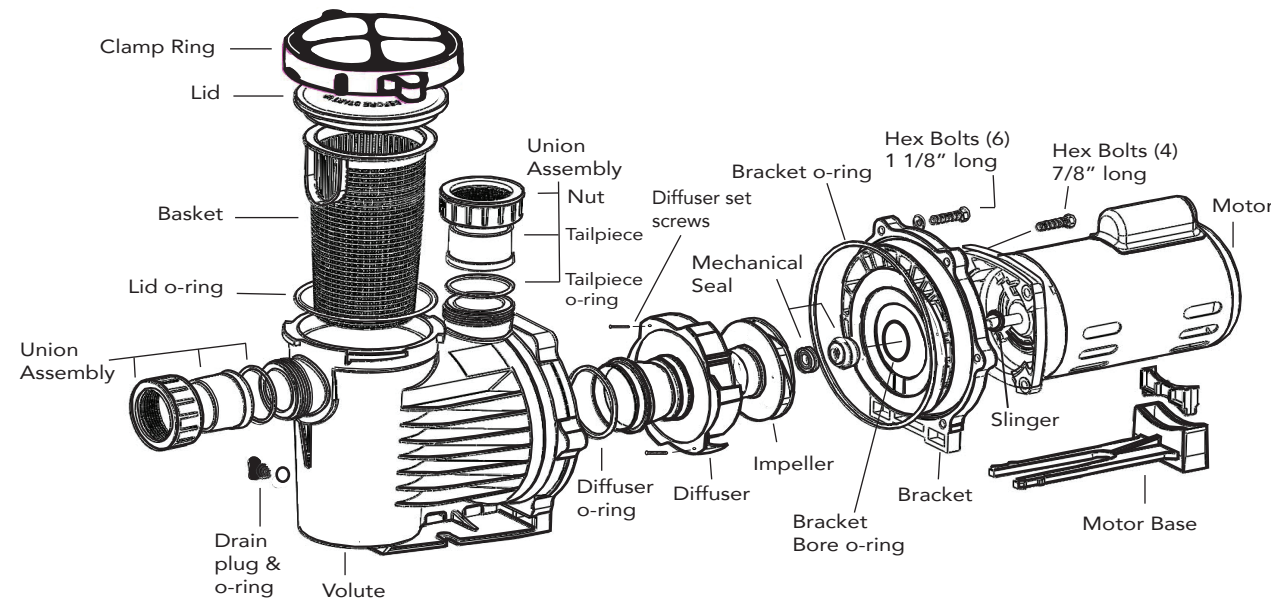


## NOTES



**PerformancePro**  
PUMPS





ITEM	DESCRIPTION	PART NUMBER
BEARINGS	MOTOR BEARINGS - 03	BEARING-03
BRACKET	BRACKET	APB-3-30
BRACKET BORE O-RING	BRACKET BORE O-RING	PBO-10
BRACKET O-RING	BRACKET O-RING	APO-3-20
DIFFUSER	DIFFUSER LARGE VANE (#4-7 IMPELLERS)	APD-2-08
	DIFFUSER XL VANE (#8-9 IMPELLERS)	APD-09
DIFFUSER O-RING	DIFFUSER NOSE O-RING	APD-06.6
DIFFUSER SET SCREW	DIFFUSER SET SCREW (ALL EXCEPT 1.5 - 3 HF)	DSS-1
	DIFFUSER SET SCREW (1.5 - 3 HF ONLY)	DSS-2
DRAIN PLUG	POLYPROPYLENE DRAIN PLUG WITH BUNA O-RING	PPD-10
HARDWARE	STAINLESS HARDWARE (ALL EXCEPT 1.5 - 3 HF)	MPH-30
	STAINLESS HARDWARE (1.5 - 3 HF ONLY)	MPH-30.5
IMPELLER	IMPELLER FOR A2-1/8-30 T: 3.75	A3/4H
	IMPELLER FOR A2-1/8-39 T: 4.35	A1H
	IMPELLER FOR A2-1/4-47 T: 4.92	A1H

ITEM	DESCRIPTION	PART NUMBER
IMPELLER	IMPELLER FOR A2-1/4-58 T: 4.92	A2H
	IMPELLER FOR A2-1/3-63 T: 5.12	A3H
	IMPELLER FOR A2-1/2-76 T: 5.12	A1/2L
	IMPELLER FOR A2-1/2-HH T: 4.00	A3/4H
	IMPELLER FOR A2-3/4-HH T: 4.50	A3/4H
	IMPELLER FOR A2-1-HH T: 4.70	A1H
	IMPELLER FOR A2-1 1/2-HH T: 4.80	A1 1/2H
	IMPELLER FOR A2-2-HH T: 4.80	A2H
	IMPELLER FOR A2-3-HH T: 4.95	A3H
	IMPELLER FOR A2-1/2-HF T: 3.70	A1 1/2H
	IMPELLER FOR A2-3/4-HF T: 3.95	A3H
	IMPELLER FOR A2-1-HF T: 4.20	A3H
	IMPELLER FOR A2-1 1/2-HF T: 4.22	AP1/2L
	IMPELLER FOR A2-2-HF T: 4.15	AP3/4L
	IMPELLER FOR A2-3-HF T: 4.40	AP3/4L
	IMPELLER SET SCREW	REVERSE SET SCREW WITH GASKET (3450 RPM ONLY)
LID	CLEAR LEXAN™ LID	ALL-40
LID O-RING	O-RING FOR LEXAN™ LID	ABL-30
MOTOR BASE	PLASTIC MOTOR BASE	APF-3-10
QUICK CLAMP	QUICK CLAMP FOR LID ASSEMBLY	APC-50
SEAL - MECHANICAL	316 STAINLESS STEEL CARBON VS. CERAMIC/BUNA	MPS-513
	PTFE COATED S.S. WITH SIC FACES/BUNA	MPS-517
SEAL KIT	ALL O-RINGS AND 513 MECHANICAL SEAL	A2-SK1
SEAL KIT - SALT	ALL O-RINGS AND 517 MECHANICAL SEAL FOR SALT	A2-SK1-S
STRAINER BASKET	STRAINER BASKET FOR VOLUTE	AAS-2-20
UNION ASSEMBLY	2" NUT, TAILPIECE AND O-RING	MPF-2-200
VOLUTE	VOLUTE HOUSING (POLYPROPYLENE)	APV-2-10



## The ArtesianPro High & Low RPM series...

offers the ultimate high volume choice for self-priming pump units featuring both high efficiency and reliability. Molded of corrosion resistant composite materials, this series is built to last. Ideal for applications in which the pump is positioned above the water level. This unit boasts 3 inch ports and features an integrated strainer basket with viewable lid for easy check up and simple clean up.

Available in 1/4 to 1 hp at 1725 rpm and 1/2 to 5 hp at 3450 rpm.



## Features

- Energy efficient, durable and reliable design for continuous operation
- All units feature efficient industry leading motors with excellent protection and long term reliability
- Designed for quiet operation
- Adjustable performance with impeller interchangeability options
- Cord with plug available (standard or custom)
- Unions included. Available in 2" or 3"
- Long life, corrosion resistant, stainless steel shaft seals
- External pump design helps protect your investment from potentially dangerous oil leaks and electrical hazards
- Salt water kit available
- 3 year limited warranty (for fresh water applications)

\* Packaging fee applies per unit

Made with care in the U.S.A.





# PerformancePro PUMPS

## SPECIFICATIONS ARTESIANPRO SERIES

LOW RPM											
MODEL	HP	TYPE	RPM	VOLTS	HZ	MAX AMPS	WATTS	WATTS	MAX HEAD	WATTS	MAX FLOW   HEAD
AP1/4-66	1/4	1 Ø TEFC	1725	115/230	50/60	3.27	350	240	21 ft	290	6180   2'
AP1/3-73	1/3	1 Ø TEFC	1725	115/230	50/60	4.16	440	250	23 ft	390	7200   2'
AP1/2-92	1/2	1 Ø TEFC	1725	115/230	50/60	5.76	630	330	24 ft	590	9360   4'
AP3/4-105	3/4	1 Ø TEFC	1725	115/230	50/60	4.00	830	400	25 ft	810	11040   5'
AP1-120	1	1 Ø TEFC	1725	115/230	50/60	8.28	910	445	25 ft	900	12000   6'

HIGH RPM - HIGH FLOW											
MODEL	HP	TYPE	RPM	VOLTS	HZ	MAX AMP	WATTS	WATTS	MAX HEAD	AMPS	MAX FLOW   HEAD
AP1/2-HF	1/2	1 Ø ODP	3450	115/208-230	50/60	8.07	930	630	38 ft	6.33	8460   3'
AP3/4-HF	3/4	1 Ø ODP	3450	115/208-230	50/60	9.87	1130	685	41 ft	7.58	10260   4'
AP1-HF	1	1 Ø ODP	3450	115/208-230	50/60	13.5	1530	860	45 ft	11.40	12360   6'
AP1 1/2-HF	1 1/2	1 Ø ODP	3450	115/208-230**	50/60	8.46	1940	1020	54 ft	7.35	14160   6'
AP2-HF	2	1 Ø ODP	3450	230	50/60	10.74	2450	1250	62 ft	9.59	15840   10'
AP3-HF	3	1 Ø ODP	3450	230	50/60	13.6	3100	1460	63 ft	13.10	17940   14'
AP5-HF	5	1 Ø ODP	3450	230	60	17.6	4000	1800	72 ft	8.85	19800   17'

HIGH RPM - HIGH HEAD											
MODEL	HP	TYPE	RPM	VOLTS	HZ	MAX AMP	WATTS	WATTS	MAX HEAD	AMPS	MAX FLOW   HEAD
AP3/4-HH	3/4	1 Ø ODP	3450	115/208-230	50/60	9.45	1080	750	53 ft	6.79	8340   3'
AP1-HH	1	1 Ø ODP	3450	115/208-230	50/60	14.1	1610	1160	73 ft	10.07	9480   4'
AP1 1/2-HH	1 1/2	1 Ø ODP	3450	115/208-230**	50/60	8.37	1910	1340	79 ft	6.22	10740   6'
AP2-HH	2	1 Ø ODP	3450	230	50/60	10.34	2400	1400	83 ft	7.88	12540   6'
AP3-HH	3	1 Ø ODP	3450	230	50/60	13.5	3100	1790	89 ft	11.90	13680   8'
AP5-HH	5	1 Ø ODP	3450	230	60	17.9	4000	2100	91 ft	16.30	16800   11'

- Designed to operate at any point on specified performance curve

- Minimum recommended continuous flow rate of 5 gallons per minute

- 3" intake and discharge ports

- Stainless steel shaft

- Salt water kit available

- Standard and custom cord options available [Options based on pump size]

- 3" union fittings included [2" union fitting option available]

• 3 year limited warranty for fresh water applications.

• 1 year limited warranty for salt water applications.

Watt and Amp draw ratings are typical, but can vary with alternate motors and operating voltages.

\*\*Operating at 115v requires connection to dedicated 30 amp circuit. Unit may run warmer and may shorten motor life. Aftermarket cord installation must meet proper amp and voltage requirements of the pump and must be no less than 12 gauge wire.

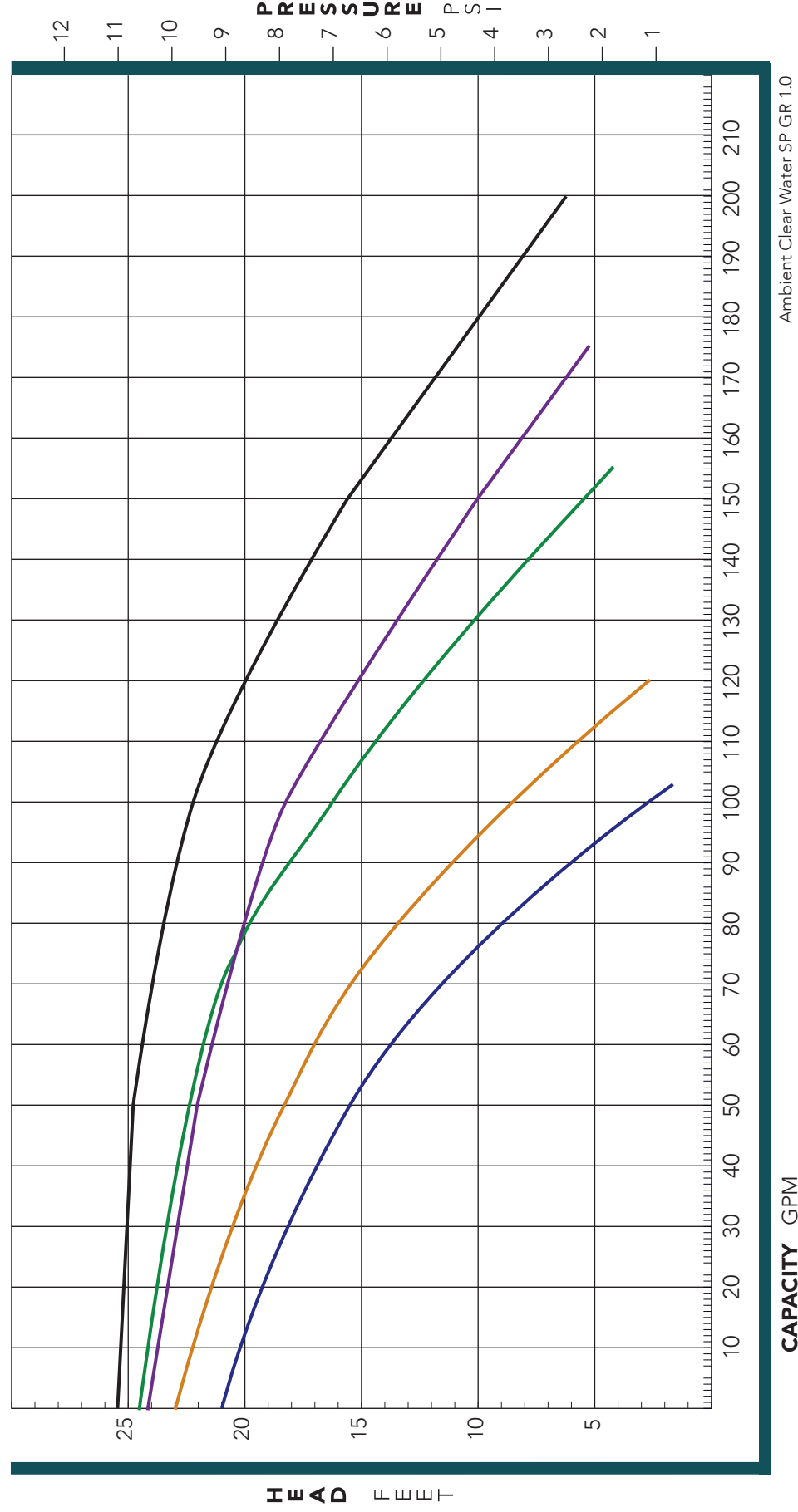
PROUDLY BUILT IN THE USA



# PerformancePro PUMPS

Pump Models: ArtesianPro Low RPM Series  
 Impeller: Various Db: 35 - 55  
 Horsepower: 1/4 - 1 RPM: 1725  
 V : 115/230 ENC: TEFC M: B/L Hz: 60  
 Date: 1/21/20 #710, 711, 707, 721, 706

— AP1/4-66 [ I: AP2H T: 4.190" Db: 35 ]      — AP1/2-92 [ I: AP1/2L T: 5.120" Db: 40 ]  
 — AP1/3-73 [ I: AP3H T: 4.190" Db: 35 ]      — AP3/4-105 [ I: AP3/4L T: 5.150" Db: 50 ]



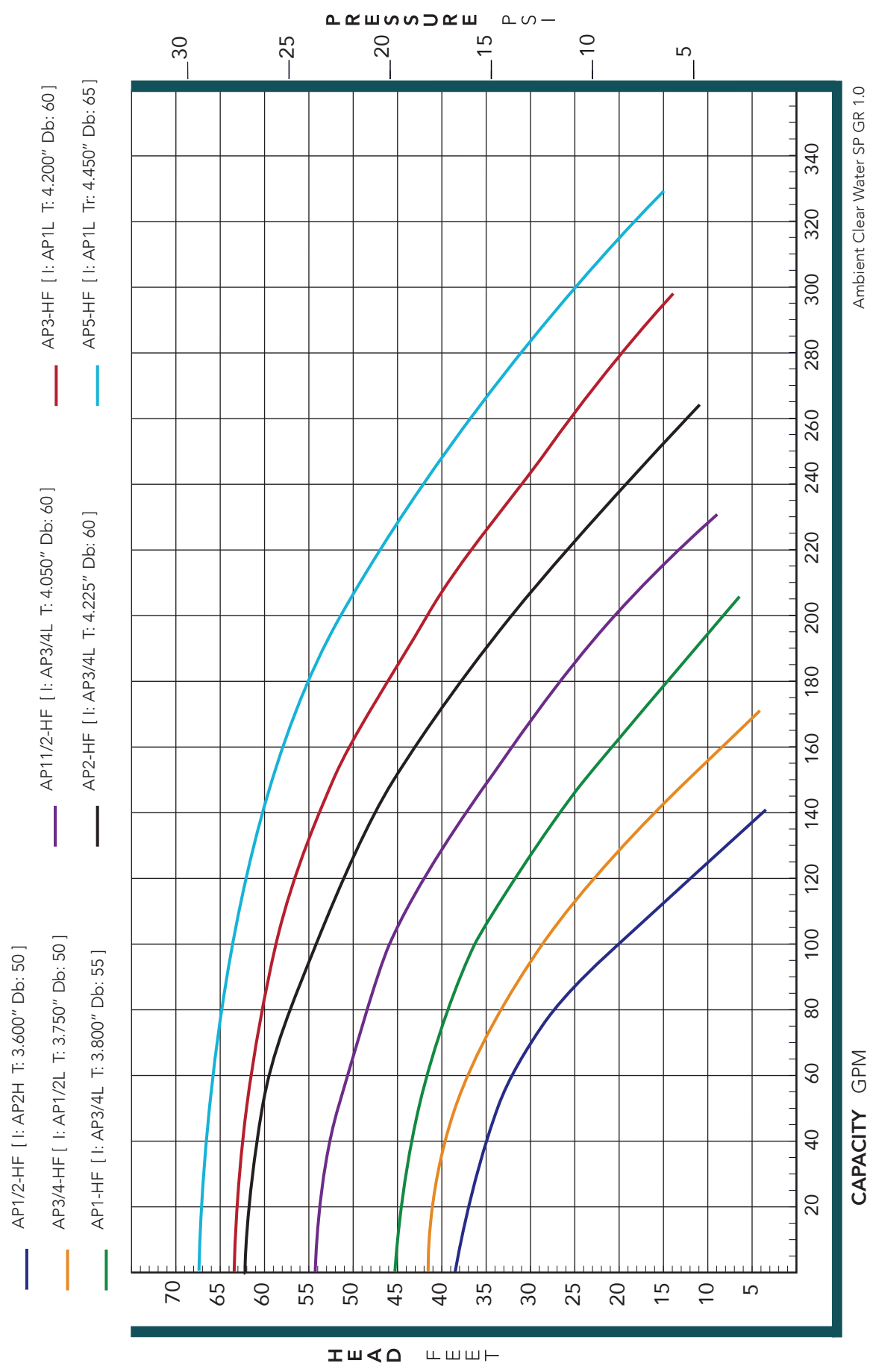
CAPACITY GPM

Ambient Clear Water SP GR 1.0



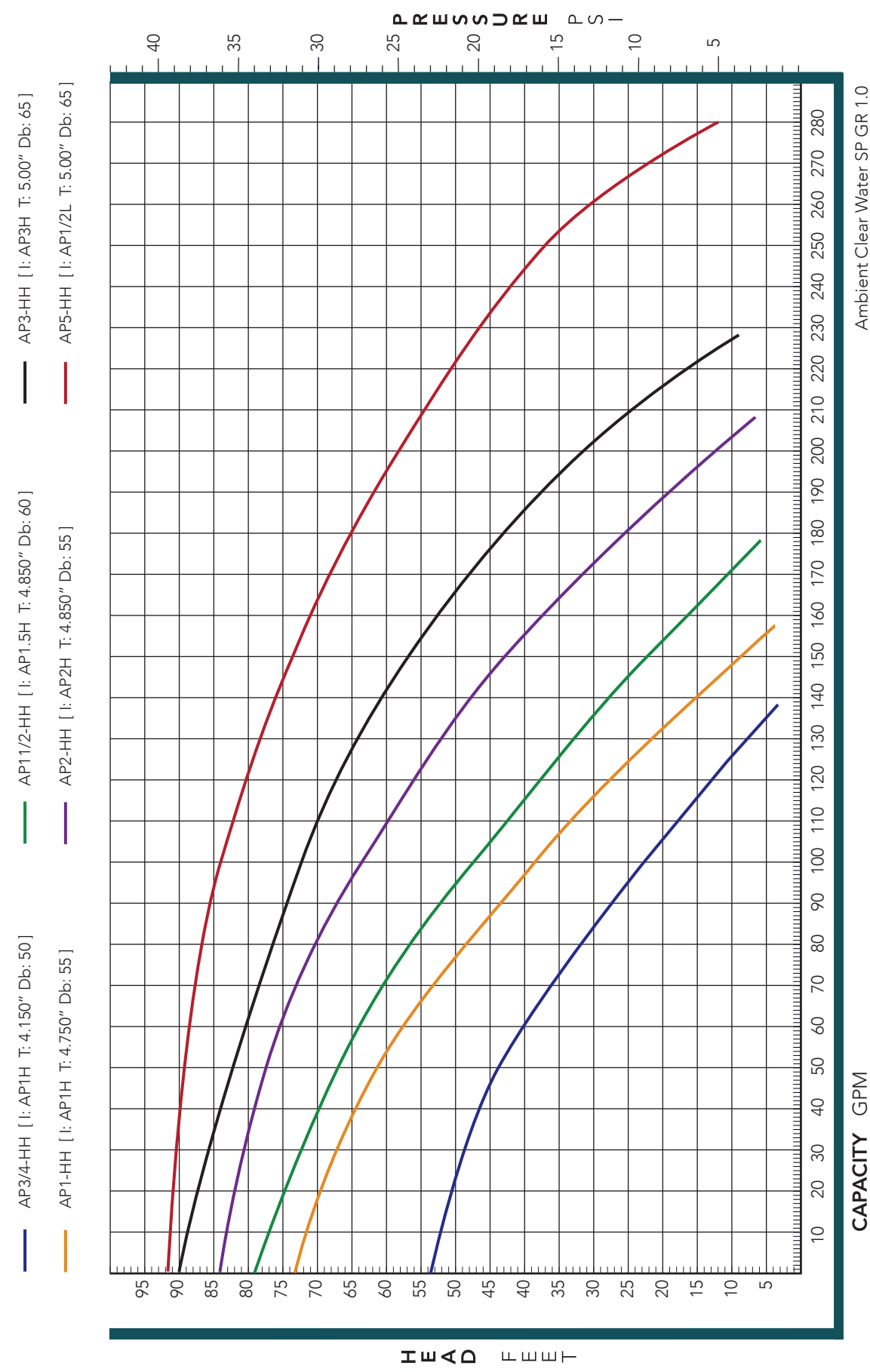
# PerformancePro PUMPS

Pump Model: ArtesianPro High Flow Series  
Impeller: Various Db: 50 - 65  
Horsepower: 1/2 - 5 RPM: 3450  
V: 115 / 230 ENC: ODP M: B/L Hz: 60  
Date: 1-6-20 #704,702,701,698,705,694,692



# PerformancePro PUMPS

Pump Model: ArtesianPro High Head Series  
Impeller: Various Db: 50 - 65  
Horsepower: 3/4 - 5 RPM: 3450  
V: 115 / 230 ENC: ODP M: L Hz: 60  
Date: 1-20-20 #703,700,699,712,695,691





## The ArtesianPro Dial-A-Flow Series...

is the ultimate choice for higher flow variable speed performance offering high efficiency and reliability. This self-priming unit is molded of weather resistant polypropylene, ideal for applications in which variable flow rates are needed. This unit features an easy-open transparent lid providing quick access to the integrated strainer basket making clean up simple.

Operating range: 0 - 2.7 hp.



### Features

- Energy efficient, low energy consumption, durable and reliable design for continuous operation
- Featuring an efficient industry leading motor featuring excellent protection and long term reliability
- Designed for quiet operation
- Premium efficient, totally enclosed fan cooled protection for maximum performance and reliability
- Integrated Timer Interface
- LCD Backlight Display
- Unions included. Available in 2" or 3"
- Long life, corrosion resistant, stainless steel shaft seals
- External pump design helps protect your investment from potentially dangerous oil leaks and electrical hazards.
- Salt water kit available
- 1 year limited warranty

\* Packaging fee apply per unit

Made with care in the U.S.A.





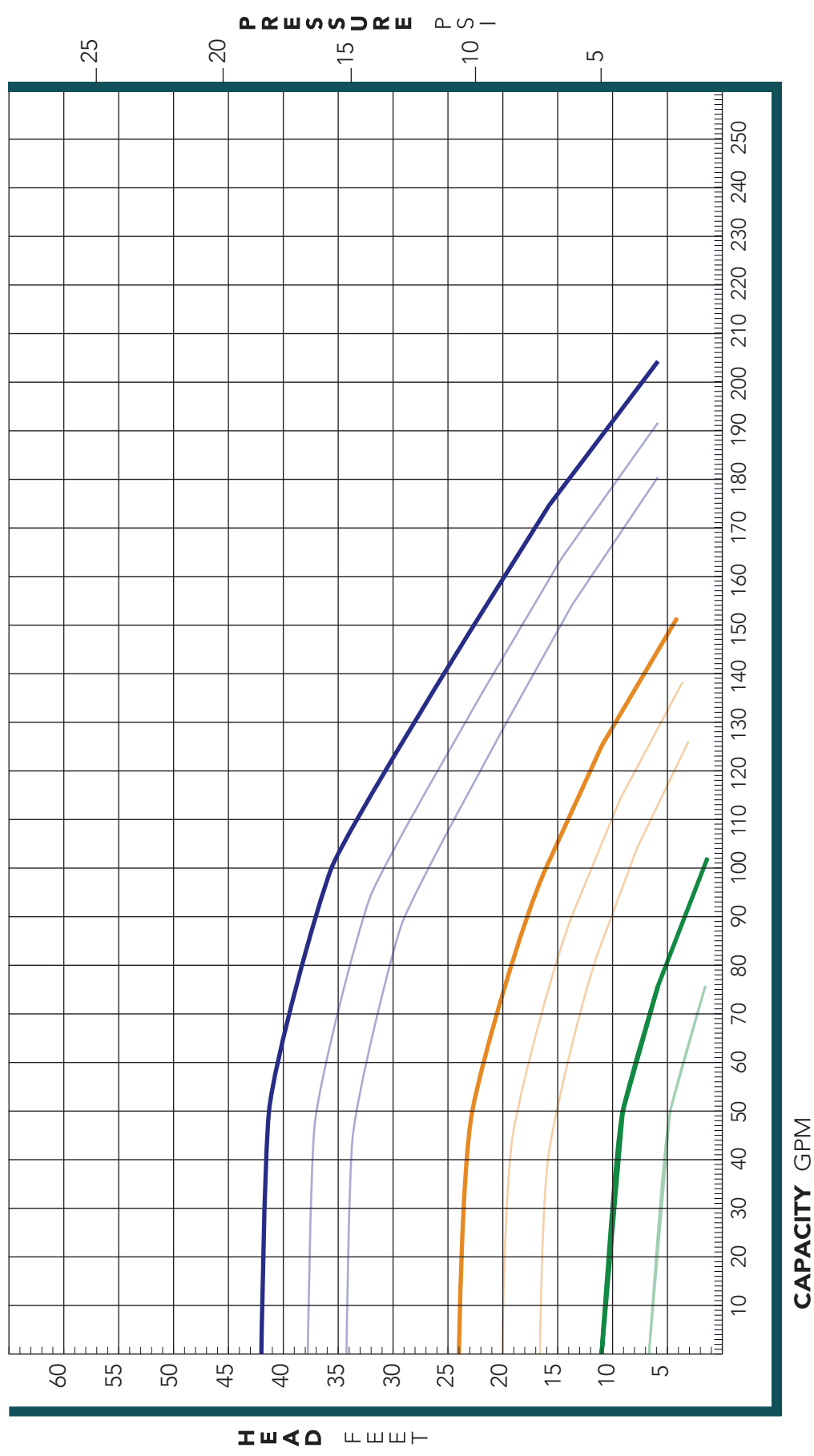
# PerformancePro PUMPS

Pump Model: ArtesianPro 1.6 High Flow Variable  
Impeller: AP3/4L Trim: 3.80" Db: 61-64  
Horsepower: 1.65 RPM: 3450-1725 V: 230  
ENC: TEFC M: N Hz: 60  
Date: 7-22-20 #728

3450 RPM RANGE  
MAX FLOW 204 gpm @ 10.83 amps

2600 RPM RANGE  
MAX FLOW 154 gpm @ 4.85 amps

1800 RPM RANGE  
MAX FLOW 102 gpm @ 1.74 amps



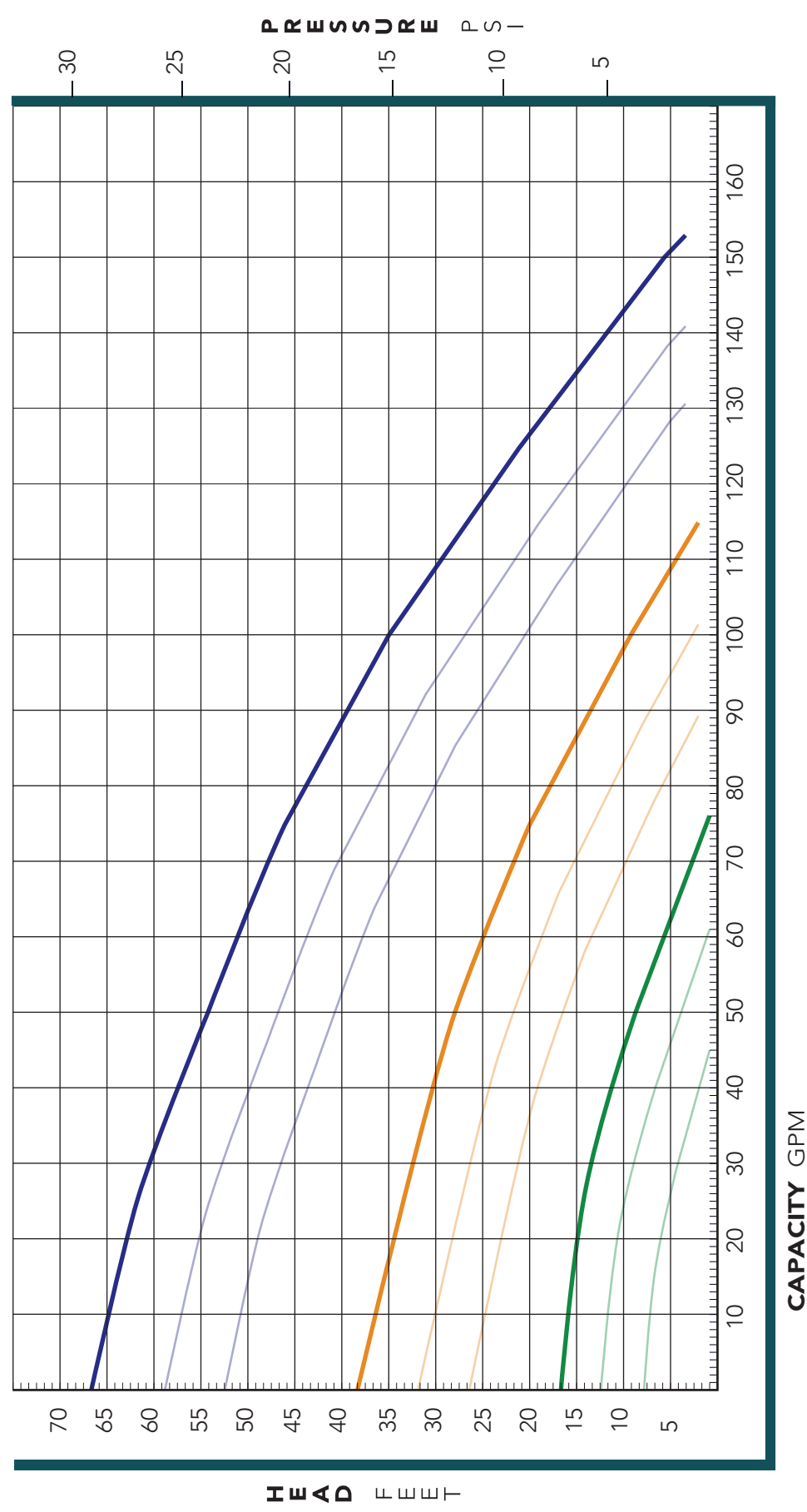
# PerformancePro PUMPS

Pump Model: ArtesianPro 1.6 High Head Variable  
Impeller: AP1H Trim: 4.65" Db: 61-64  
Horsepower: 1.65 RPM: 3450 - 1725 V: 115  
ENC: TEFC M: N Hz: 60  
Date: 7-23-20 #729

3450 RPM RANGE  
MAX FLOW 153 gpm @ 9.01 amps

2600 RPM RANGE  
MAX FLOW 115 gpm @ 4.16 amps

1800 RPM RANGE  
MAX FLOW 76 gpm @ 1.54 amps

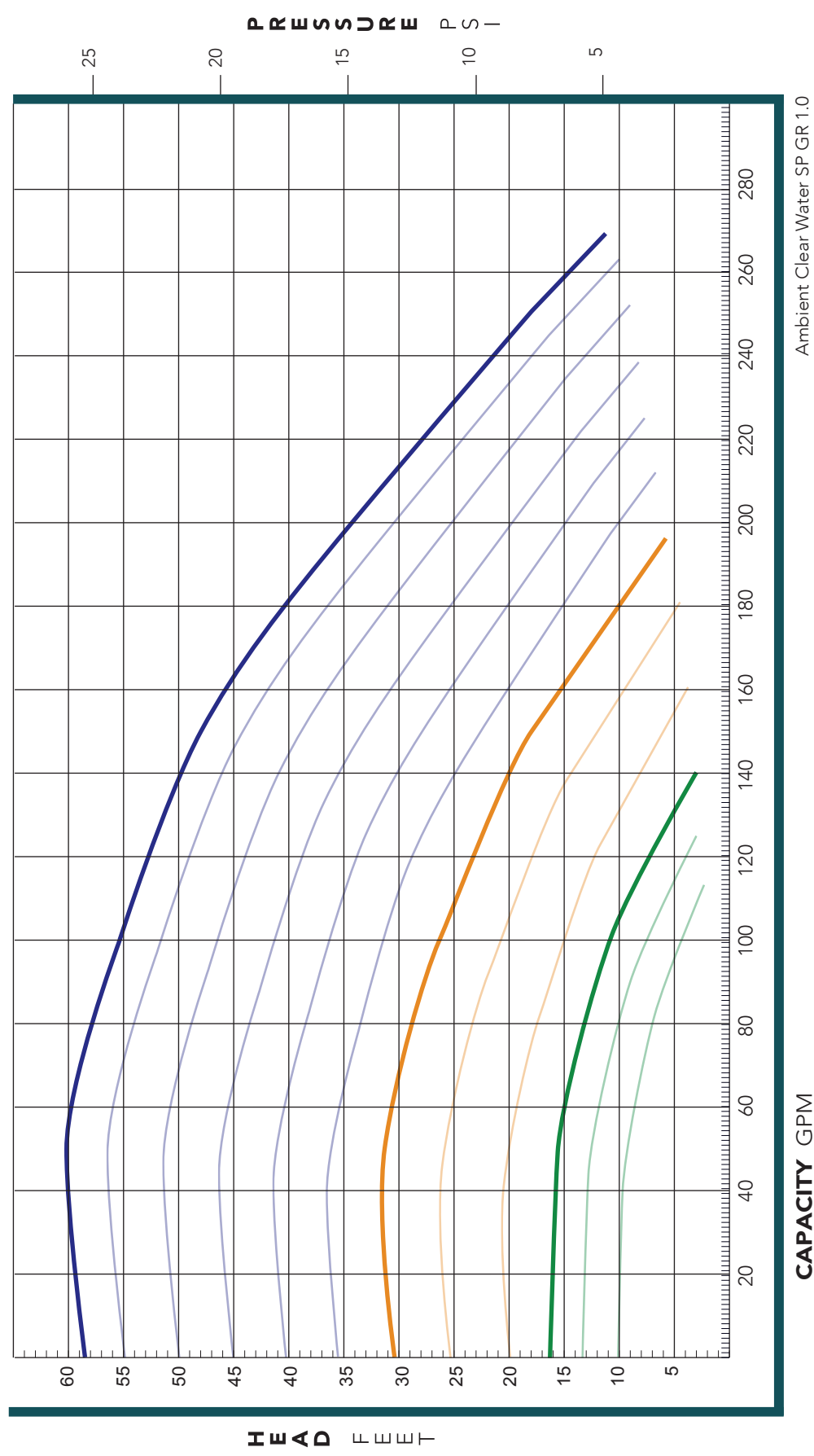




# PerformancePro PUMPS

Pump Model: ArtesianPro 2.7 High Flow Variable  
Impeller: A3/4L Trim: 4.225" Db: 65-68  
Horsepower: 2.7 RPM: 3450 V: 230  
ENC: TEFC M: N Hz: 60  
Date: 6-17-20

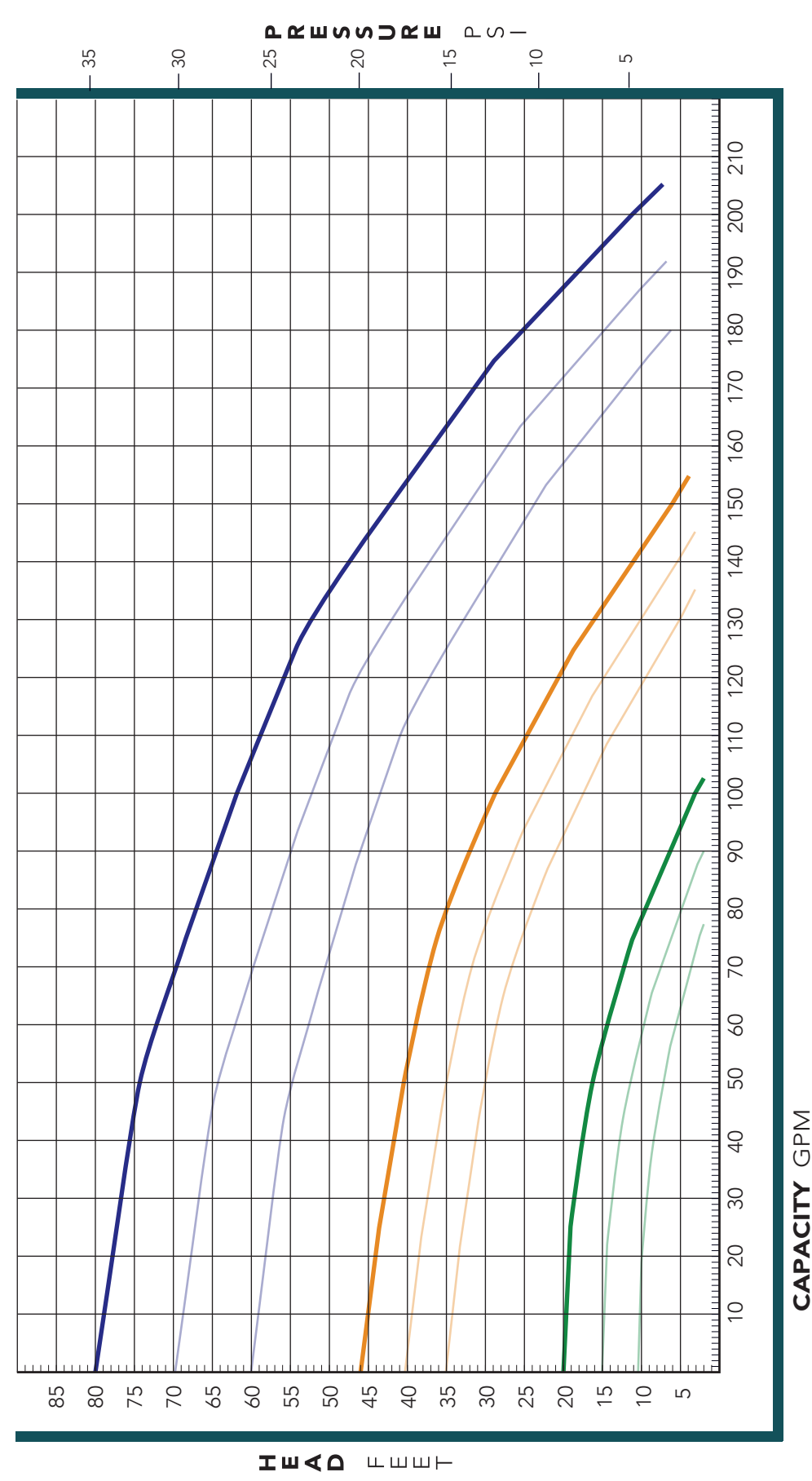
#726

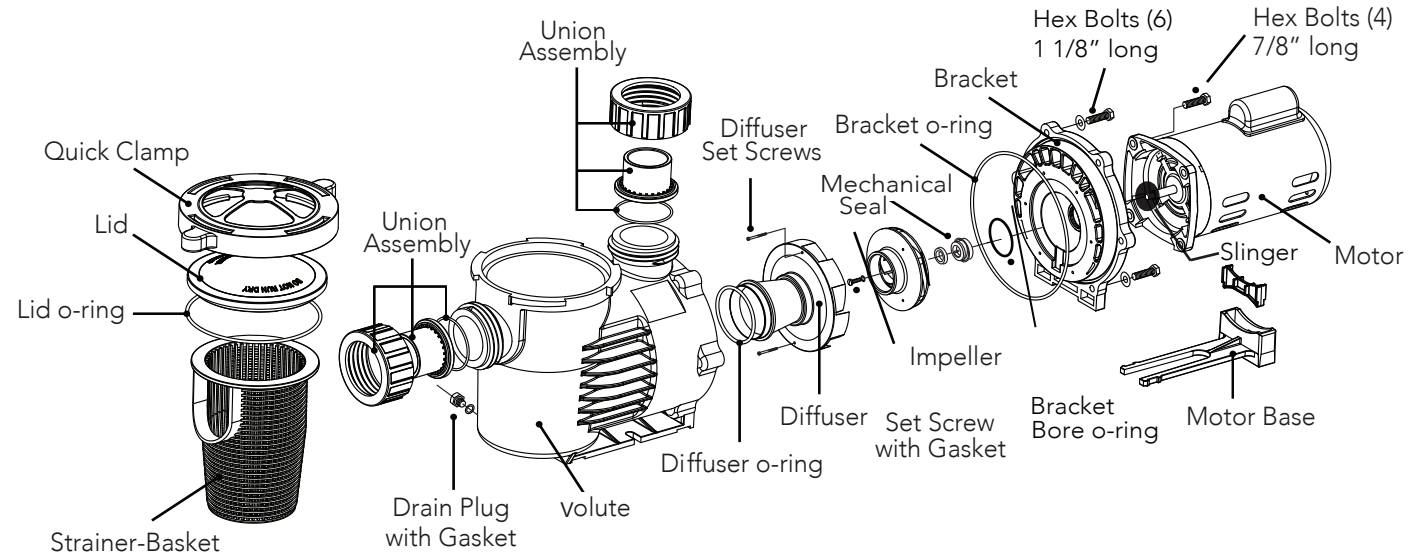


# PerformancePro PUMPS

Pump Model: ArtesianPro 2.7 High Head Variable  
Impeller: AP2H Trim: 4.80" Db: 65-68  
Horsepower: 2.7 RPM: 3450 V: 230  
ENC: TEFC M: N Hz: 60  
Date: 8-13-20

#730





ITEM	DESCRIPTION	PART NUMBER
BEARINGS	MOTOR BEARINGS - 03	BEARING-03
BRACKET	BRACKET	APB-3-30
BRACKET BORE O-RING	BRACKET BORE O-RING	PBO-10
BRACKET O-RING	BRACKET O-RING	APO-3-20
DIFFUSER	DIFFUSER LARGE VANE (#4-7 IMPELLERS)	APD-3-07
	DIFFUSER XL VANE (#8-9 IMPELLERS)	APD-3-09
DIFFUSER O-RING	DIFFUSER NOSE O-RING	APD-06
DIFFUSER SET SCREW	DIFFUSER SET SCREW (ALL EXCEPT 1.5 - 3 HF)	DSS-1
	DIFFUSER SET SCREW (1.5 - 3 HF ONLY)	DSS-2
DRAIN PLUG	POLYPROPYLENE DRAIN PLUG WITH BUNA O-RING	PPD-10
HARDWARE	STAINLESS HARDWARE (ALL EXCEPT 1.5 - 3 HF)	MPH-30
	STAINLESS HARDWARE (1.5 - 3 HF ONLY)	MPH-30.5
IMPELLER	IMPELLER FOR AP1/4-66 T: 4.91	AP2H
	IMPELLER FOR AP1/3-73 T: 5.12	AP3H
	IMPELLER FOR AP1/2-92 T: 5.12	AP1/2L

ITEM	DESCRIPTION	PART NUMBER
IMPELLER	IMPELLER FOR AP3/4-105 T: 5.00	AP3/4L
	IMPELLER FOR AP1-120 T: 5.00	AP1L
	IMPELLER FOR AP3/4-HH T: 4.15	AP1H
	IMPELLER FOR AP1-HH T: 4.75	AP1H
	IMPELLER FOR AP1 1/2-HH T: 4.85	AP1 1/2
	IMPELLER FOR AP2-HH T: 4.80	AP2H
	IMPELLER FOR AP3-HH T: 5.00	AP3H
	IMPELLER FOR AP5-HH T: 5.12	AP1/2L
	IMPELLER FOR AP1/2-HF T: 3.60	AP2H
	IMPELLER FOR AP3/4-HF T: 3.80	AP1/2L
	IMPELLER FOR AP1-HF T: 3.90	AP3/4L
	IMPELLER FOR AP1 1/2-HF T: 4.05	AP3/4L
	IMPELLER FOR AP2-HF T: 4.15	AP3/4L
	IMPELLER FOR AP3-HF T: 4.20	AP1L
	IMPELLER FOR AP5-HF T: 4.45	AP1L
IMPELLER SET SCREW	REVERSE SET SCREW WITH GASKET (3450 RPM ONLY)	ASI-09
LID	CLEAR LEXAN™ LID	ALL-3-40
LID O-RING	O-RING FOR LEXAN™ LID	ABL-3-30
MOTOR BASE	PLASTIC MOTOR BASE	APF-3-10
QUICK CLAMP	QUICK CLAMP FOR LID ASSEMBLY	APC-3-50
SEAL - MECHANICAL	316 STAINLESS STEEL CARBON VS. CERAMIC/BUNA	MPS-513
	PTFE COATED S.S. WITH SIC FACES/BUNA	MPS-517
SEAL KIT	ALL O-RINGS AND 513 MECHANICAL SEAL FOR PUMP	AP-SK1
SEAL KIT - SALT	ALL O-RINGS AND 517 MECHANICAL SEAL FOR SALT PUMP	AP-SK1-S
STRAINER BASKET	STRAINER BASKET FOR VOLUTE	AAS-3-30
UNION ASSEMBLY	2" NUT, TAILPIECE AND O-RING	MPF-3-200
	3" NUT, TAILPIECE AND O-RING	MPF-3-300
VOLUTE	VOLUTE HOUSING (POLYPROPYLENE)	APV-3-10

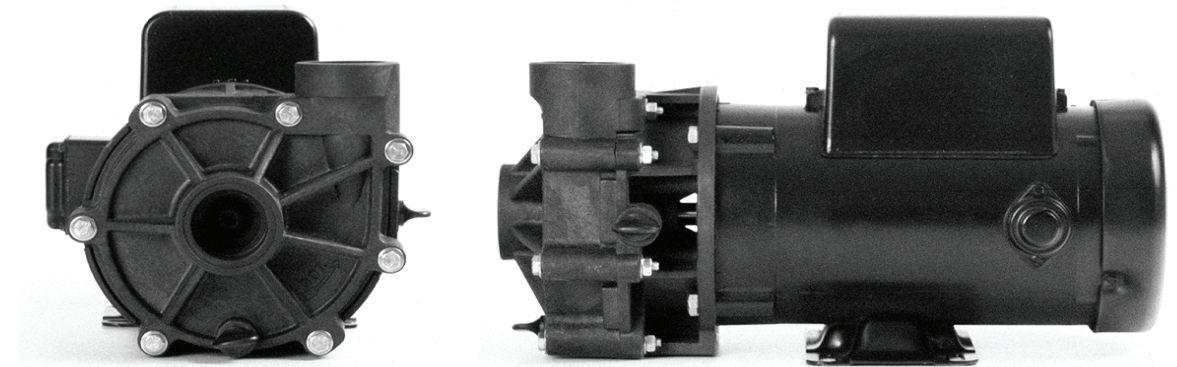




## The Cascade Series...

offers the perfect choice for flooded suction systems, providing reliability and sleek design in an industrial grade unit. Constructed of corrosion resistant composite and stainless steel materials built to last. This series outperforms on systems in which the pump is below the water level. Featuring 1.5" intake and discharge ports in an efficient pump that is easy to install and maintain.

Available in 1/8 to 1/4 hp at 1725 rpm and 1/3 to 2 hp at 3450 rpm.



## Features

- Energy efficient, durable and reliable design for continuous operation
- All units feature efficient industry leading motors featuring excellent protection and long term reliability
- Designed for quiet operation
- Adjustable performance with impeller interchangeability options
- Cord with plug available (standard or custom)
- Long life, corrosion resistant, stainless steel shaft seals
- External pump design helps protect your investment from potentially dangerous oil leaks and electrical hazards
- 1.5 inch unions available
- Salt water kit available
- 3 year limited warranty (for fresh water applications)
- \* Packaging fee applies per unit

Made with care in the U.S.A.





# PerformancePro PUMPS

## SPECIFICATIONS CASCADE SERIES

### LOW RPM

MODEL	HP	TYPE	RPM	VOLTS	HZ	MAX AMPS	WATTS	WATTS	WATTS	MAX HEAD	MAX FLOW	HEAD
C1/8-22	1/8	1 Ø TEFC	1725	115/230	50/60	1.46	133	113	112	15 ft	2160	1'
C1/8-26	1/8	1 Ø TEFC	1725	115/230	50/60	1.75	166	141	140	18 ft	2460	1'
C1/8-36	1/8	1 Ø TEFC	1725	115/230	50/60	2.01	201	113	185	15 ft	3780	4'
C1/4-44	1/4	1 Ø TEFC	1725	115/230	50/60	2.73	280	176	270	21 ft	4380	5'
C1/4-49	1/4	1 Ø TEFC	1725	115/230	50/60	3.29	350	200	320	22 ft	4860	7'

### HIGH RPM

MODEL	HP	TYPE	RPM	VOLTS	HZ	MAX AMP	WATTS	WATTS	WATTS	MAX HEAD	MAX FLOW	HEAD
C1/3	1/3	1 Ø ODP	3450	115/230	50/60	5.46	600	570	518	55 ft	2400	1'
C1/2	1/2	1 Ø ODP	3450	115/230	50/60	6.87	750	640	5.44	65 ft	3420	3'
C3/4	3/4	1 Ø ODP	3450	115/230	50/60	8.79	1010	810	7.06	74 ft	4740	6'
C1	1	1 Ø ODP	3450	115/230	50/60	12.04	1370	890	9.06	81 ft	6180	11'
C1 1/2	1 1/2	1 Ø ODP	3450	230	50/60	6.37	1460	940	5.53	80 ft	6720	12'
C2	2	1 Ø ODP	3450	230	50/60	8.66	1940	1000	8.24	85 ft	8760	21'

- Designed to operate at any point on specified performance curve
- Minimum recommended continuous flow rate of 5 gallons per minute
- 1.5" intake and discharge ports
- Quick connect fittings available [MPF-215]

- Corrosion resistant
- Stainless steel shaft
- Salt water kit available
- Standard and custom cord options available [Options based on pump size]

Watt and Amp draw ratings are typical, but can vary with alternate motors and operating voltages.

- 3 year limited warranty for fresh water applications.
- 1 year limited warranty for salt water applications.

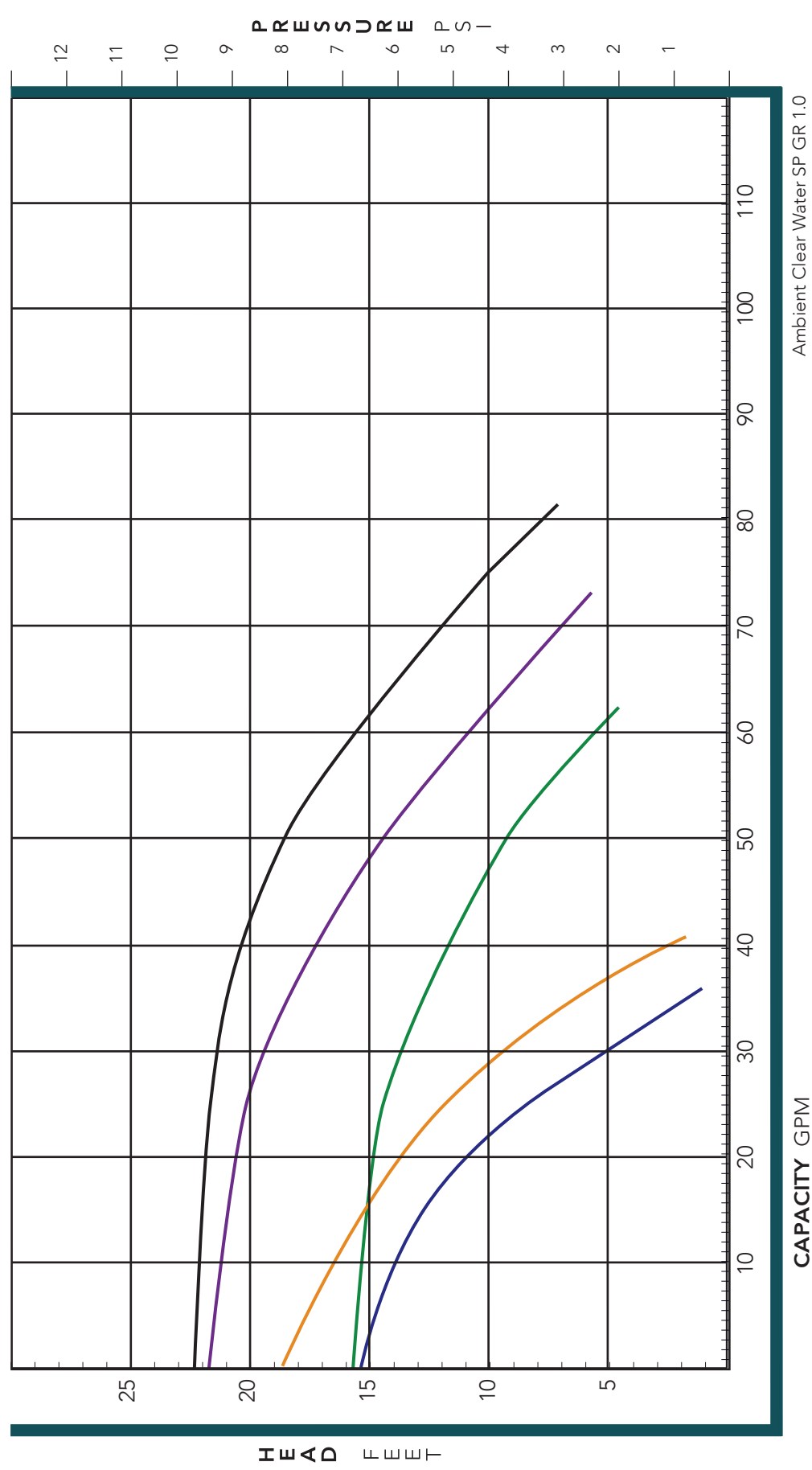
**PROUDLY BUILT IN THE USA**



# PerformancePro PUMPS

Pump Models: Cascade Low RPM Series  
 Impeller: Various Db: 45 - 50  
 Horsepower: 1/8 - .1/4 RPM: 1725 V: 115/230  
 ENC: TEFC M: B Hz: 60  
 Date: 9/21/20 #669, 670, 744, 745, 746

— C1/8-22 [I: CN3/4 T: 4.275" Db: 45] — C1/8-36 [I: CN2 T: 4.09" Db: 45] — C1/4-49 [I: CN3 T: 4.790" Db: 50]  
 — C1/8-26 [I: CN3/4 T: 4.800" Db: 47] — C1/4-44 [I: CN2 T: 4.800" Db: 50]



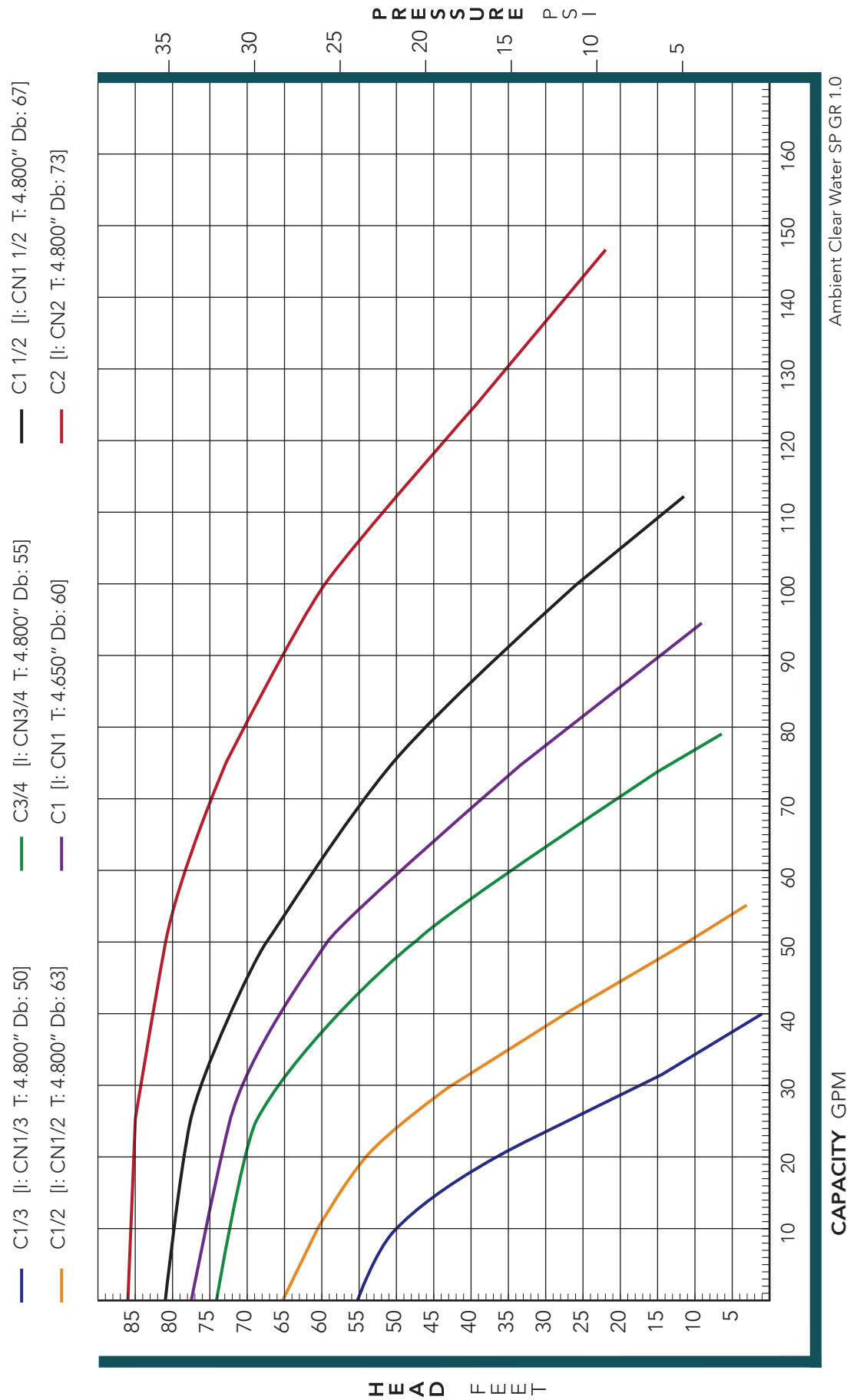
Capacity GPM

Ambient Clear Water SP GR 1.0



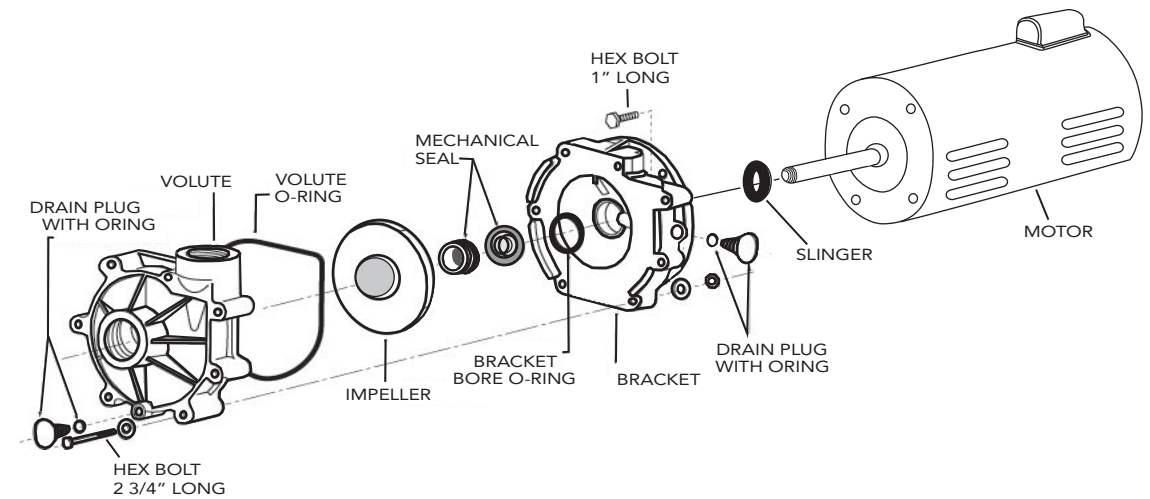
# PerformancePro PUMPS

Pump Models: Cascade High RPM Series  
 Impeller: Various Db: 50 - 73  
 Horsepower: 1/3 - 2 RPM: 3450 V: 115/230  
 ENC: ODP M: B Hz: 60  
 Date: 9-17-20 #732, 734, 736, 738, 740, 742



# PerformancePro PUMPS

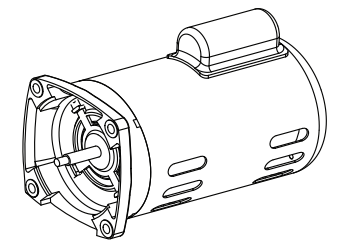
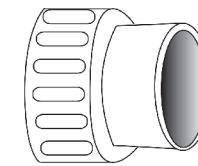
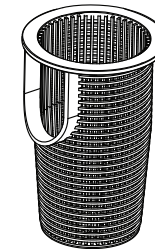
## CASCADE SERIES PARTS LIST

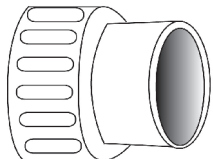
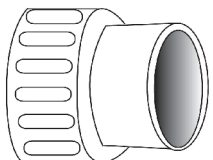
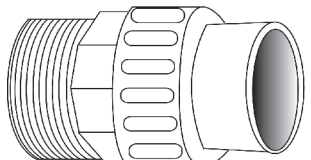
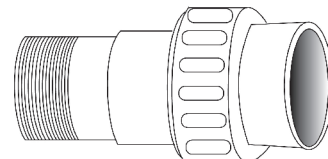
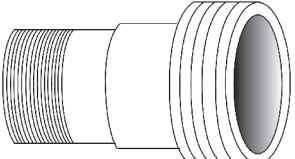


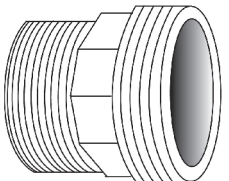
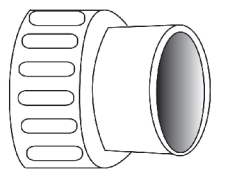



ITEM	DESCRIPTION	PART NUMBER
BEARINGS	MOTOR BEARINGS - 03	BEARING-03
BRACKET	BRACKET [Rear Housing in Polypropylene]	PPB-15
BRACKET BORE O-RING	BRACKET BORE O-RING	PBO-10
BRACKET O-RING	BRACKET O-RING	PVO-10
DRAIN PLUG	POLYPROPYLENE DRAIN PLUG WITH BUNA O-RING	PPD-10
HARDWARE	STAINLESS HARDWARE (ALL EXCEPT 1.5 - 3 HF)	MPH-30
	STAINLESS HARDWARE (1.5 - 3 HF ONLY)	MPH-30.5
IMPELLER	IMPELLER FOR C1/8-22 T: 4.275"	CN3/4
	IMPELLER FOR C1/8-26 T: 4.80"	CN3/4
	IMPELLER FOR C1/8-36 T: 4.09"	CN2
	IMPELLER FOR C1/4-44 T: 4.80"	CN2
	IMPELLER FOR C1/4-49 T: 4.80"	CN3
	IMPELLER FOR C1/3 T: 4.80"	CN1/3
	IMPELLER FOR C1/2 T: 4.80"	CN1/2
	IMPELLER FOR C3/4 T: 4.80"	CN3/4
	IMPELLER FOR C1 T: 4.80"	CN1
	IMPELLER FOR C1 1/2 T: 4.80"	CN11/2
IMPELLER FOR C2 T: 4.80"	CN2	

ITEM	DESCRIPTION	PART NUMBER
SEAL	316 STAINLESS STEEL SHAFT SEAL [CARBON/CERAMIC]	MPS-513
	PTFE COATED STAINLESS STEEL [SIC/BUNA]	MPS-517
SEAL KIT - STANDARD	ALL O-RINGS AND 513 MECHANICAL SEAL FOR PUMP	C-SK1
SEAL KIT - SALT	ALL O-RINGS AND 517 MECHANICAL SEAL FOR SALT PUMP	C-SK1-S
VOLUTE	VOLUTE HOUSING	PPV-15

# PARTS & FITTINGS



DESCRIPTION	PART NUMBER
 <p>Artesian2 Quick Connect Union Fitting</p> <p>2" Artesian2 Quick Connect Fitting 2" S Tailpiece only 2" O-Ring only 2" Union Nut only</p>	<p>MPF-2-200 AVT-2-20 ATO-2-20 AVN-2-20</p>
 <p>ArtesianPro Quick Connect Union Fitting</p> <p>2" ArtesianPro Quick Connect Union Fitting 2" ArtesianPro S Tailpiece only 2" ArtesianPro O-Ring only 3" ArtesianPro Quick Connect Union Fitting 3" ArtesianPro S Tailpiece only 3" ArtesianPro O-Ring only 3" Union Nut only (For 2" and 3" Fittings)</p>	<p>MPF-3-200 AVT-3-20 ATO-3-10 MPF-3-300 AVT-3-30 ATO-3-30 AVN-3-10</p>
 <p>Artesian Classic Quick Connect Union Fitting</p> <p>2" S Union, 2" Threaded Tail Piece, Gasket with O-Ring Rib (Includes MPF-211 &amp; MPF-212)</p>	<p>MPF-210</p>
 <p>Cascade Quick Connect Union Fitting</p> <p>2" S Union, 1-1/2" Threaded Tail Piece, Gasket with O-Ring Rib</p>	<p>MPF-215</p>
 <p>1-1/2" Tail Piece</p> <p>2" Buttress Threaded x 1-1/2" NPT Tail Piece</p>	<p>MPF-112</p>

DESCRIPTION	PART NUMBER
 <p>2" Threaded Tail Piece</p>	<p>MPF-211</p>
 <p>2" Union Nut, 2" S Tail Piece, Gasket with O-Ring Rib</p>	<p>MPF-212</p>
 <p>2" Sweep Elbow 2" Union Nut with 2" S Sweep 90 Degree Elbow Tailpiece</p>	<p>MPSE-2020</p>
 <p>Swing Check Valve (White) 1 1/2" SxS PVC Swing Check Valve 2" SxS PVC Swing Check Valve 3" SxS PVC Swing Check Valve</p>	<p>MPCV-15 MPCV-20 MPCV-30</p>
 <p>Swing Check Valve (Clear) 1 1/2" SxS PVC Swing Check Valve 2" SxS PVC Swing Check Valve 3" SxS PVC Swing Check Valve</p>	<p>MPCV-15C MPCV-20C MPCV-30C</p>

ITEM	DESCRIPTION	PART NUMBER
STRAINER POT	Strainer Pot and Basket - w/ 1 1/2" male NPT adapter, clamp lid	MPP-10
	Strainer Pot and Basket - w/ 2" male NPT adapter, clamp lid	MPP-20
ELECTRIC CORD	8' Cord with 115V Plug (16 gauge) for 1725 RPM	MPE-16-115V
	8' Cord with 115V Plug (12 gauge) for 3450 RPM	MPE-12-115V
	Custom Cord (12 gauge) / 115V plug	CC-12-115P
	Custom Cord (12 gauge) / 230V plug	CC-12-230P
	Custom Cord (16 gauge) / 115V plug	CC-16-115P
	Custom Cord (16 gauge) / 230V plug	CC-16-230P
MECHANICAL SEALS	Stainless Steel 316 / Buna	MPS-513
	PTFE Coated S.S. / SiC / Buna	MPS-517
	Polypropylene / carbon vs. ceramic / EPDM trim	MPS-522
	Polypropylene / carbon vs. ceramic / Viton trim	MPS-524
	Polypropylene / carbon vs. SiC / EPDM trim	MPS-542
	Polypropylene / carbon vs. SiC / Viton trim	MPS-544
	Polypropylene / SiC vs SiC / EPDM trim	MPS-562
	Polypropylene / SiC vs SiC / Viton trim	MPS-564
MOTOR BASE	Plastic Motor Base 48 Frame	MPB-P48
	Plastic Motor Base 56 Frame	MPB-P56

MOTORS - Artesian Series

ITEM	DESCRIPTION	PART NUMBER
MOTOR - TEFC	1/8 HP, 1 Ø, TEFC, 115/230V, 50/60 HZ, 1725 RPM, 56Y Motor	APM-342
	1/4 HP, 1 Ø, TEFC, 115/230V, 50/60HZ, 1725 RPM, 56Y Motor	APM-344
	1/3 HP, 1 Ø, TEFC, 115/230V, 50/60 HZ, 1725 RPM, 56Y Motor	APM-345
	1/2 HP, 1 Ø, TEFC, 115/230V, 50/60 HZ, 1725 RPM, 56Y Motor	APM-346
	3/4 HP, 1 Ø, TEFC, 115/230V, 50/60 HZ, 1725 RPM, 56Y Motor	APM-347
	1 HP, 1 Ø, TEFC, 115/230V, 50/60 HZ, 1725 RPM, 56Y Motor	APM-348
MOTOR - ODP	1/2 HP, 1 Ø, ODP, 115/230V, 3450 RPM, 56Y Motor	APM-122
	3/4 HP, 1 Ø, ODP, 115/208-230V, 3450 RPM, 56Y Motor	APM-123
	1 HP, 1 Ø, ODP, 115/208-230V, 3450 RPM, 56Y Motor	APM-124
	1 1/2 HP, 1 Ø, ODP, 115/208-230V, 3450 RPM, 56Y Motor L	APM-125
	2 HP, 1 Ø, ODP, 208-230V, 3450 RPM, 56Y Motor	APM-126
	3 HP, 1 Ø, ODP, 208-230V, 3450 RPM, 56Y Motor	APM-127
	5 HP, 1 Ø, ODP, 208-230V, 3450 RPM, 56Y Motor	APM-129

\* This list reflects motors most commonly used and is not a complete list. Motor alternatives may be available. Call for details.

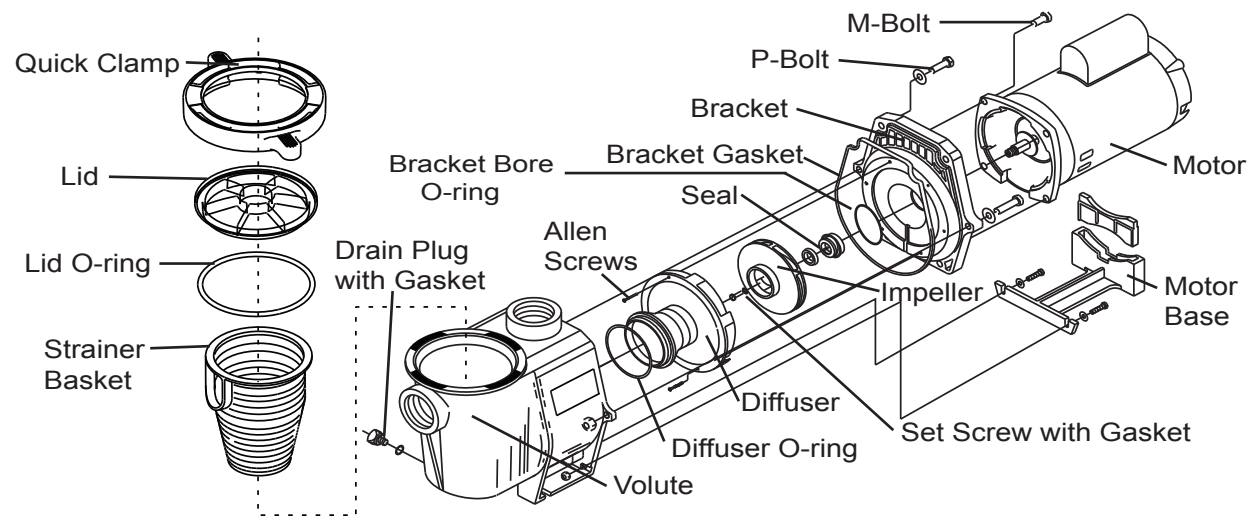
MOTORS - Cascade Series

ITEM	DESCRIPTION	PART NUMBER
MOTOR - ODP	1/3 HP, 1 Ø, ODP, 115/230V, 3450 RPM, 56J Motor	CPM-121
	1/2 HP, 1 Ø, ODP, 115/230V, 50/60HZ, 3450 RPM, 56J Motor	CPM-122
	3/4 HP, 1 Ø, ODP, 115/208-230V, 50/60HZ, 3450 RPM, 56J Motor	CPM-123
	1 HP, 1 Ø, ODP, 115/230V, 50/60HZ, 3450 RPM, 56J Motor	CPM-124
	1 1/2 HP, 1 Ø, ODP, 115/230V, 50/60HZ, 3450 RPM, 56J Motor	CPM-125
MOTOR - TEFC	2 HP, 1 Ø, ODP, 115/230V, 50/60HZ, 3450 RPM, 56J Motor	CPM-126
	1/8 HP, 1 Ø, TEFC, 115/230V, 50/60HZ, 1725 RPM, 56J Motor	CPM-342
	1/4 HP, 1 Ø, TEFC, 115/230V, 50/60HZ, 1725 RPM, 56J Motor	CPM-344
	1/2 HP, 1 Ø, TEFC, 115/230V, 3450 RPM, 56J Motor	CPM-322
	3/4 HP, 1 Ø, TEFC, 115/230V, 3450 RPM, 56J Motor	CPM-323
	1 HP, 1 Ø, TEFC, 115/230V, 3450 RPM, 56J Motor	CPM-324
MOTOR - TEFC 3 PHASE	1 1/2 HP, 1 Ø, TEFC, 115/208-230V, 3450 RPM, 56J Motor	CPM-325
	2 HP, 1 Ø, TEFC, 115/208-230V, 3450 RPM, 56J Motor	CPM-326
	1/3 HP, 3 Ø, TEFC, 230/460V U 208V, 3450 RPM, 56J Motor	CPM-421
	1/2 HP, 3 Ø, TEFC, 230/460V U 208V, 3450 RPM, 56J Motor	CPM-422
	3/4 HP, 3 Ø, TEFC, 208-230/460V, 3450 RPM, 56J Motor	CPM-423
	1 HP, 3 Ø, TEFC, 208-230/460V, 3450 RPM, 56J Motor	CPM-424
	1 1/2 HP, 3 Ø, TEFC, 208-230/460V, 3450 RPM, 56J Motor	CPM-425
2 HP, 3 Ø, TEFC, 230/460V U 208V, 3450 RPM, 56J Motor	CPM-426	
3 HP, 3 Ø, TEFC, 230/460V U 208V, 3450 RPM, 56J Motor	CPM-427	

MOTORS - Specialty

ITEM	DESCRIPTION	PART NUMBER
MOTOR - VARIABLE	0-2.7 HP, 1 Ø TEFC, VARIABLE SPEED MOTOR	APM-446.7N
	0 - 1.65 HP, 1 Ø TEFC, VARIABLE SPEED MOTOR	APM-444.7N

\* This list reflects motors most commonly used and is not a complete list. Motor alternatives may be available. Call for details.



ITEM	DESCRIPTION	PART NUMBER
BEARINGS	MOTOR BEARINGS - 03	BEARING-03
BRACKET	BRACKET	APB-30
BRACKET BORE O-RING	BRACKET BORE O-RING	PBO-10
BRACKET O-RING	BRACKET O-RING	ASB-20
DIFFUSER	DIFFUSER SMALL VANE [#2 IMPELLER]	APD-07
	DIFFUSER LARGE VANE [#4-7 IMPELLERS]	APD-2-08
	DIFFUSER XL VANE [#8-9 IMPELLERS]	APD-09
DIFFUSER O-RING	DIFFUSER NOSE O-RING	APD-06
DIFFUSER SET SCREW	DIFFUSER SET SCREW (ALL EXCEPT 1/2-75 & 1-3 HF)	DSS-1
	DIFFUSER SET SCREW (1/2-75 & 1-3 HF ONLY)	DSS-2
DRAIN PLUG	POLYPROPYLENE DRAIN PLUG WITH BUNA O-RING	PPD-10
HARDWARE	STAINLESS HARDWARE	MPH-25
IMPELLER	IMPELLER FOR A1/8-30 T: 3.75	A3/4H
	IMPELLER FOR A1/8-35 T: 4.38	A1H
	IMPELLER FOR A1/4-40 T: 4.92	A1H
	IMPELLER FOR A1/4-49 T: 4.92	A2H
	IMPELLER FOR A1/3-56 T: 5.12	A3H
	IMPELLER FOR A1/2-75 T: 5.12	A1/2L

ITEM	DESCRIPTION	PART NUMBER
IMPELLER	IMPELLER FOR A1/2-HH T: 3.95	A1H
	IMPELLER FOR A3/4-HH T: 4.25	A1H
	IMPELLER FOR A1-HH T: 4.80	A1H
	IMPELLER FOR A11/2-HH T: 4.85	A11/2H
	IMPELLER FOR A2-HH T: 4.80	A2H
	IMPELLER FOR A3-HH T: 5.05	A3H
	IMPELLER FOR A1/2-HF T: 3.95	A1H
	IMPELLER FOR A3/4-HF T: 4.00	A3H
	IMPELLER FOR A1-HF T: 4.11	AP1/2L
	IMPELLER FOR A11/2-HF T: 4.275	AP1/2L
	IMPELLER FOR A2-HF T: 4.150	AP3/4L
	IMPELLER FOR A3-HF T: 4.50	AP3/4L
IMPELLER SET SCREW	IMPELLER SET SCREW WITH GASKET	ASI-09
LID	LEXAN™ CLEAR LID	ALL-40
LID O-RING	LID O-RING	ABL-30
MOTOR BASE	PLASTIC MOTOR BASE	APF-20
QUICK CLAMP	QUICK CLAMP FOR VOLUTE	APC-50
SEAL	STANDARD SEAL - 316 STAINLESS CARBON/CERAMIC	MPS-513
	SALT SEAL - PTFE COATED STAINLESS STEEL/SIC	MPS-517
SEAL KIT	ALL O-RINGS AND 513 MECHANICAL SEAL	AC-SK1
	ALL O-RINGS AND 517 MECHANICAL SEAL	AC-SK1-S
STRAINER BASKET	STRAINER BASKET FOR VOLUTE	AAS-30
UNION ASSEMBLY	2" NUT, TAILPIECE AND O-RING	MPF-210
VOLUTE	VOLUTE HOUSING (POLYPROPYLENE)	APV-10

INSTANT PROTECTION FOR YOUR PUMP AND MOTOR



### ProTect

DESCRIPTION	PART NUMBER
Pump and Motor Cover	MPC-10



### FEATURES

- \* Protects motor from water damage and external environmental debris
- \* Reduces pump noise
- \* Easy assembly, no tools required
- \* Pre-cut knock out sections for easy customization
- \* Constructed of UV resistant, durable thermoplastic, providing long lasting protection from the elements.
- \* Fits all Artesian and Cascade Models. Modification may be needed for variable speed models.

All ProTects ship disassembled in a compact and stackable box. (15" x 16" x 5")

Approximate assembly time: 5 minutes

\* Stock earthtone color available only (not pictured). Cover is paintable.

## FRICITION LOSS CHART

FRICITION LOSS PER 100 FEET OF PLASTIC PIPE

GPM	PIPE DIAMETER																							
	1/2 in.		3/4 in.		1 in.		1 1/4 in.		1 1/2 in.		2 in.		2 1/2 in.		3 in.		4 in.		5 in.					
	SCH 40	SCH 80	SCH 40	SCH 80	SCH 40	SCH 80	SCH 40	SCH 80	SCH 40	SCH 80	SCH 40	SCH 80	SCH 40	SCH 80	SCH 40	SCH 80	SCH 40	SCH 80	SCH 40	SCH 80				
1	2.08	4.02	0.51	0.86	0.55	0.88	0.14	0.21	0.07	0.10	0.10	0.066	0.10	0.038	0.05	0.015	0.02							
2	4.16	8.03	1.02	1.72	1.10	1.76	0.44	0.66	0.22	0.30	0.066	0.10	0.038	0.05	0.015	0.02								
5	23.44	45.23	5.73	9.67	3.17	5.04	0.81	1.21	0.38	0.55	0.11	0.15	0.051	0.07	0.021	0.028								
7	43.06	83.07	10.52	17.76	4.61	7.17	1.15	1.72	0.53	0.79	0.21	0.29	0.09	0.12	0.03	0.04								
10	82.02	-	20.04	33.84	6.02	9.61	1.55	2.30	0.72	1.04	0.28	0.45	0.12	0.16	0.04	0.05								
15	-	-	42.46	71.70	12.77	20.36	3.28	4.87	1.53	2.20	0.45	0.62	0.19	0.26	0.07	0.09								
20	-	-	72.34	-	21.75	34.68	5.59	8.30	2.61	3.75	0.76	1.06	0.32	0.44	0.11	0.15	0.03	0.04						
25	-	-	-	-	32.88	52.43	8.45	12.55	3.95	5.67	1.15	1.60	0.49	0.67	0.17	0.22	0.04	0.06						
30	-	-	-	-	46.08	73.48	11.85	17.59	5.53	7.95	1.62	2.25	0.68	0.94	0.23	0.31	0.06	0.08	0.02	0.03				
35	-	-	-	-	-	-	15.76	23.40	7.36	10.58	2.15	2.99	0.91	1.25	0.31	0.42	0.08	0.11	0.03	0.04				
40	-	-	-	-	-	-	-	29.97	9.43	13.55	2.75	3.83	1.16	1.60	0.40	0.54	0.11	0.14	0.03	0.04				
45	-	-	-	-	-	-	-	25.10	37.27	11.73	16.85	3.43	4.76	1.44	1.99	0.50	0.67	0.13	0.17	0.04	0.06			
50	-	-	-	-	-	-	-	45.30	14.25	20.48	4.16	5.79	1.75	2.42	0.60	0.81	0.16	0.21	0.05	0.07				
60	-	-	-	-	-	-	-	19.98	28.70	5.84	8.12	5.84	8.12	2.46	3.39	0.85	1.14	0.22	0.30	0.07	0.10			
70	-	-	-	-	-	-	-	-	-	7.76	10.80	3.27	4.51	1.13	1.51	0.30	0.39	0.10	0.13					
75	-	-	-	-	-	-	-	-	-	8.82	12.27	3.71	5.12	1.28	1.72	0.34	0.45	0.11	0.14					
80	-	-	-	-	-	-	-	-	-	9.94	13.83	4.19	5.77	1.44	1.94	0.38	0.50	0.13	0.16					
90	-	-	-	-	-	-	-	-	-	12.37	17.20	5.21	7.18	1.80	2.41	0.47	0.63	0.16	0.20					
100	-	-	-	-	-	-	-	-	-	15.03	20.90	6.33	8.72	2.18	2.93	0.58	0.76	0.19	0.24					
125	-	-	-	-	-	-	-	-	-	-	-	9.58	13.21	3.31	4.43	0.88	1.16	0.29	0.37					
150	-	-	-	-	-	-	-	-	-	-	-	13.41	18.48	4.63	6.20	1.22	1.61	0.40	0.52					
175	-	-	-	-	-	-	-	-	-	-	-	-	-	6.16	8.26	1.63	2.15	0.54	0.69					
200	-	-	-	-	-	-	-	-	-	-	-	-	-	-	7.88	10.57	2.08	2.75	0.69	0.88				
250	-	-	-	-	-	-	-	-	-	-	-	-	-	-	-	11.93	16.00	3.15	4.16	1.05	1.34			
300	-	-	-	-	-	-	-	-	-	-	-	-	-	-	-	-	5.83	7.76	1.46	1.87				
350	-	-	-	-	-	-	-	-	-	-	-	-	-	-	-	-	-	5.87	7.76	1.95	2.49			
400	-	-	-	-	-	-	-	-	-	-	-	-	-	-	-	-	-	-	7.52	9.93	2.49	3.19		
450	-	-	-	-	-	-	-	-	-	-	-	-	-	-	-	-	-	-	-	-	3.09	3.97		
500	-	-	-	-	-	-	-	-	-	-	-	-	-	-	-	-	-	-	-	-	-	3.76	4.82	

THIS CHART GIVES FRICTION LOSSES FOR YOUR GIVEN FLOW RATE PER 100 FEET OF A 160 FEET OF PIPE. YOUR FRICTION LOSS IS 8.12 x 1.6 = 12.99 FEET. PIPE - EXAMPLE: IF YOU HAVE 60 GALLONS PER MINUTE AND YOU'RE USING 2 INCH SCHEDULE 80 PIPE AND YOU HAVE

NOTE: IT IS BEST TO KEEP YOUR FRICTION LOSS (PER 100 FEET OF PIPE) TO LESS THAN 5 F EET.

## FRICITION LOSS IN PVC FITTINGS IN EQUIVALENT FEET OF STRAIGHT PIPE

NORMAL PIPE SIZE (IN)	1/2"	3/4"	1"	1 1/4"	1 1/2"	2"	2 1/2"	3"	4"
90 ELBOW, STANDARD	1.5	2.0	2.25	4.0	4.0	6.0	8.0	8.0	12.0
45 ELBOW, STANDARD	0.75	1.0	1.4	1.75	2.0	2.5	3.0	4.0	5.0
INSERT COUPLING	0.5	0.75	1.0	1.25	1.5	2.0	3.0	3.0	4.0
GATE VALVE	3	4	6	8	10	15	16	20	30
MALE-FEMALE ADAPTERS	1.0	1.5	2.0	2.75	3.5	4.5	5.5	6.5	9.0
TEE - FLOW through RUN	1.0	1.4	1.7	2.3	2.7	4.3	5.1	6.3	8.3
TEE - FLOW THROUGH BRANCH	4.0	5.0	6.0	7.0	8.0	12.0	15.0	16.0	22.0



NOTES

---

NOTES

---



NOTES

---

NOTES

---





# ***PerformancePro***

---

## **PUMPS**

PH [503] 356-5888    FX [503] 356-1660  
SALES@PERFORMANCEPROPUMPS.COM  
WWW.PERFORMANCEPROPUMPS.COM

## **POND & GARDEN**

### **PRODUCT CATALOG**